

THUNDERBIRD PRODUCTS

**FUEL  
WIRING  
PLUMBING**

FIRST EDITION 2024

#315623-A

Because of the Formula commitment to product quality and innovation, we reserve the right, at any time, to discontinue or change specifications, design, or features without incurring obligation. Thunderbird Products is not responsible for any technical issues that may arise due to the use of obsolete drawings.

## AC CIRCUITS/PANEL

AC PANEL.....	4
AIR CONDITIONING OVERVIEW.....	5
AIR CONDITIONING CABIN.....	6
AIR CONDITIONING COCKPIT.....	7
BATTERY CHARGER.....	8
CABIN GALLEY.....	9A
COCKPIT REFRIGERATOR.....	9B
COCKPIT GRILL.....	10
FISHBOX FREEZER PLATES.....	11
GENERATOR.....	12
OUTLETS.....	13
SHOREPOWER 1.....	14A
SHOREPOWER 2.....	14B
TV.....	15A
WATER HEATER.....	15B

## DC SYSTEMS

12V OUTLETS AND PHONE CHARGERS.....	16
12V USB OUTLETS.....	17
ACC RELAY.....	18
ANTI-THEFT PREMIUM.....	19
BATTERY CHARGING AUX/THRUSTER.....	20
BATTERY CHARGING GEN AND GYRO.....	21
BATTERY CHARGING START.....	22
BATTERY SWITCH AUX/GEN/PAR.....	23
BATTERY SWITCH START.....	24
BILGE BLOWER.....	25
BONDING.....	26
BOW THRUSTER ELECTRICAL.....	27

BOW THRUSTER MERCURY INTERFACE.....	28
BOW THRUSTER NETWORK.....	29
CARBON MONOXIDE DETECTOR.....	30A
FUME DETECTOR.....	30B
DC DISTRIBUTION.....	31
FIRE EXTINGUISHER.....	32
FIRE SHUTDOWN.....	33
FREEZER BOX CONTROLLERS CAREL.....	34A
FREEZE BOX CONRTOLLERS LOVE.....	34B
FISHBOX MACERATORS.....	35
FUME DETECTOR.....	30B
FUSE BLOCK.....	36
GENERATOR CONTROL PANEL.....	37
GYROSCOPIC STABILIZER GARMIN.....	38
GYROSCOPIC STABILIZER RAYMARINE.....	39
HIGH WATER ALARM.....	40A
HORN.....	40B
OUTBOARD ENGINE FLUSH.....	41
POWER ANTENNA MAST.....	42
POWER COOLER DRAWER.....	43
POWER HELM SEAT CENTER.....	44A
POWER HELM SEAT PORT.....	44B
POWER HELM SEAT STARBOARD.....	45A
POWER REELS.....	45B
POWER TABLE.....	46
POWER WINDOW.....	47
SPOTLIGHT.....	48
STEREO AMPS.....	49

**DC SYSTEMS CONT.**

STEREO LAYOUT CABIN.....50  
 STEREO LAYOUT DECK.....51  
 STEREO LAYOUT HARDTOP.....52  
 STEREO POWER.....53  
 STEREO REMOTES.....54A  
 STEREO SIRIUS RADIO.....54B  
 SUMP BOX SHOWER.....55A  
 SUMP BOX STORAGE.....55B  
 TRIM TABS.....56  
 VHF RADIO.....57  
 WASTE SYSTEM FLOATS AND MAC.....58  
 WASTE SYSTEM OVERVIEW.....59  
 WASTE SYSTEM TANK WATCH.....60  
 WASTE SYSTEM TOILET.....61  
 WATER FILL AND PUMP.....62

**DIGITAL SWITCHING**

CCM1.....63  
 CCM 2.....64  
 CCM 3.....65  
 CCM RESET.....66  
 BILGE PUMP CABIN.....67  
 BILGE PUMP EQUIPMENT ROOM.....68  
 CABIN LIGHTS.....69  
 COURTESY LIGHT RED.....70  
 COURTESY LIGHTS WHITE.....71  
 DASH AIR BOOST.....72A  
 DOCKING LIGHTS.....72B  
 EQUIPMENT ROOM LIGHTS.....73A

HEAD BLOWER.....73  
 HEAD UNIT LIGHTS.....74A  
 LIGHT BAR .....74B  
 LIVEWELL LIGHTS WHITE AND RED.....75  
 LIVEWELL PUMPS PORT.....76  
 LIVEWELL PUMPS STARBOARD.....77  
 NAVIGATION AND ANCHOR LIGHTS.....78  
 PANEL LIGHTS.....79A  
 RAW WATER WASH DOWN.....79B  
 REMOTE LIGHTS.....80  
 RGB LIGHT SWITCHES.....81  
 RGB UNDERWATER LIGHTS .....82  
 SPREADER LIGHTS.....83  
 SUN SHADE.....84  
 WATER FLOW SENSORS.....85  
 WINDLASS.....86  
 WINDSHIELD WASH.....87A  
 WINDSHIELD WIPER.....87B

**NAVIGATION ELECTRONICS**

RAYMARINE CHART PLOTTER 1.....88  
 RAYMARINE CHART PLOTTER 2.....89  
 RAYMARINE CHART PLOTTER 3.....90  
 GARMIN CHART PLOTTER 1.....91  
 GARMIN CHART PLOTTER 2.....92  
 GARMIN CHART PLOTTER 3.....93  
 RAYMARINE HIGH SPEED SWITCHES.....94  
 GARMIN HIGH SPEED SWITCHES.....95  
 RAYMARINE NETWORK SPORT.....96  
 RAYMARINE NETWORK FISH.....97

## NAVIGATION ELECTRONICS

GARMIN NETWORK SPORT.....	98
GARMIN NETWORK FISH.....	99
RADARS.....	100
SIRIUS WEATHER.....	101
RAYMARINE TRANSDUCERS.....	102A
GARMIN TRANSDUCERS.....	102B
THERMAL CAMERA.....	103

## SYSTEM OVERVIEWS

COAX INPUTS.....	104
FISHBOX FREEZER PLATES AND LINESETS.....	105
RGB CONTROLLER.....	106

## PANELS

AFT BREAKER.....	107
DASH SWITCHES CENTER.....	108
DASH SWITCHES PORT.....	109
DASH SWITCHES STARBOARD.....	110
LEANING POST SWITCHES.....	111
LEANING POST BREAKER.....	112
LIVWELL SWITCHES.....	113

## PLUMBING

BILGE PUMPS.....	114
GENERATOR WET EXHAUST.....	115
LIVWELL PLUMBING.....	116
RAW WATER PLUMBING.....	117
SHOWER SUMP.....	118
STORAGE SUMP.....	119
WASTE SYSTEM.....	120

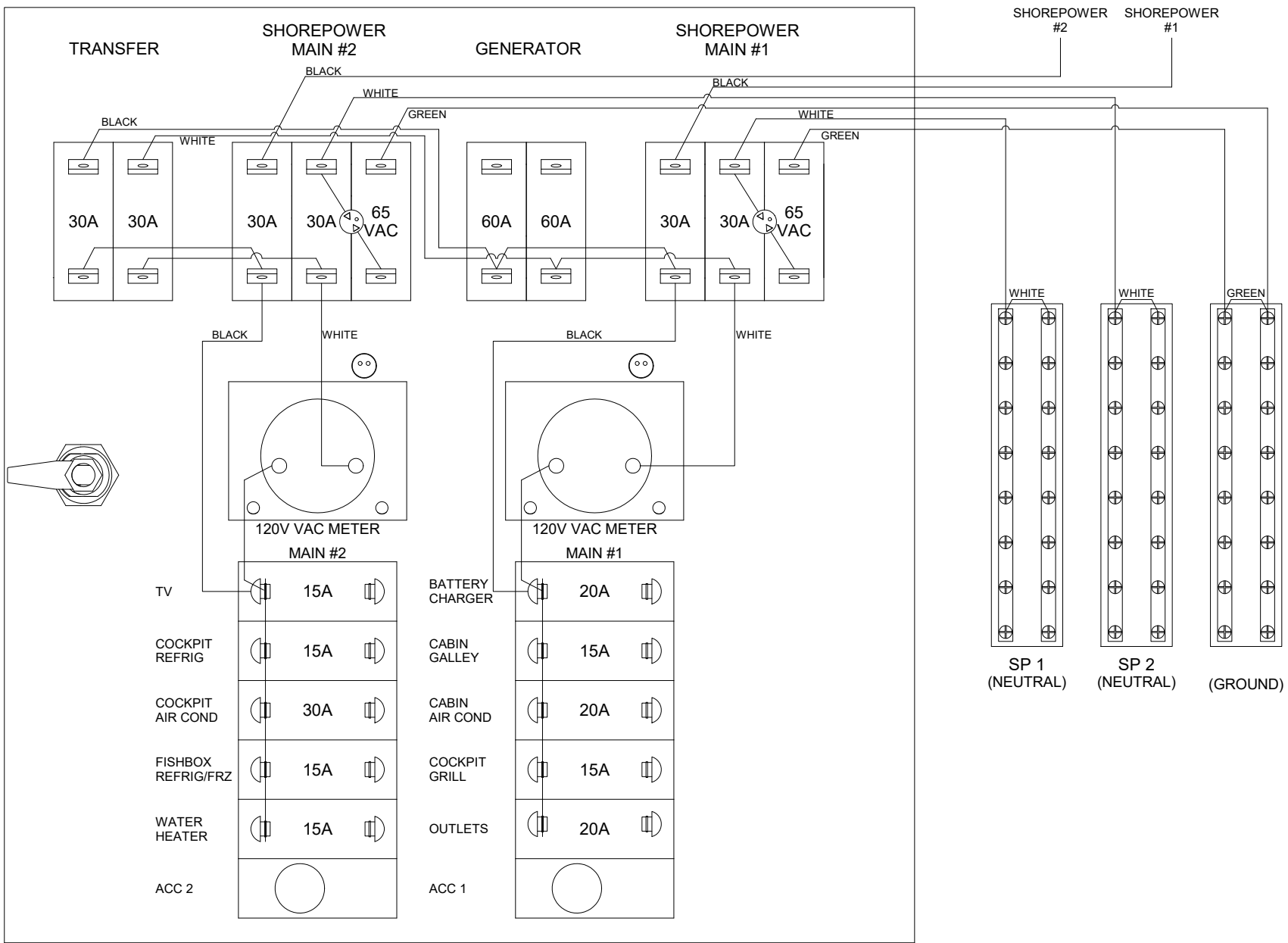
WATER SYSTEM.....	121
-------------------	-----

## FUEL

DIESEL SYSTEM.....	122
GAS SYSTEM.....	123

## LAYOUT OVERVIEWS

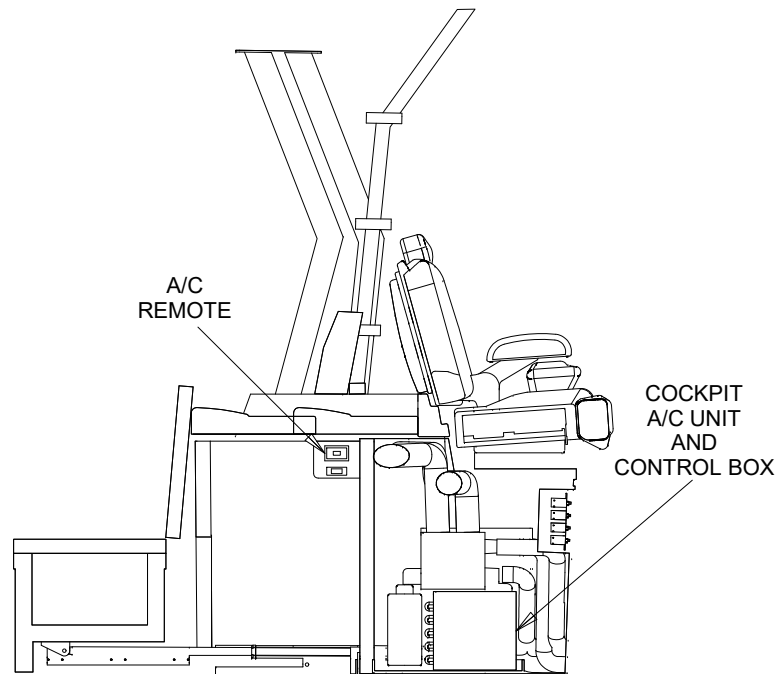
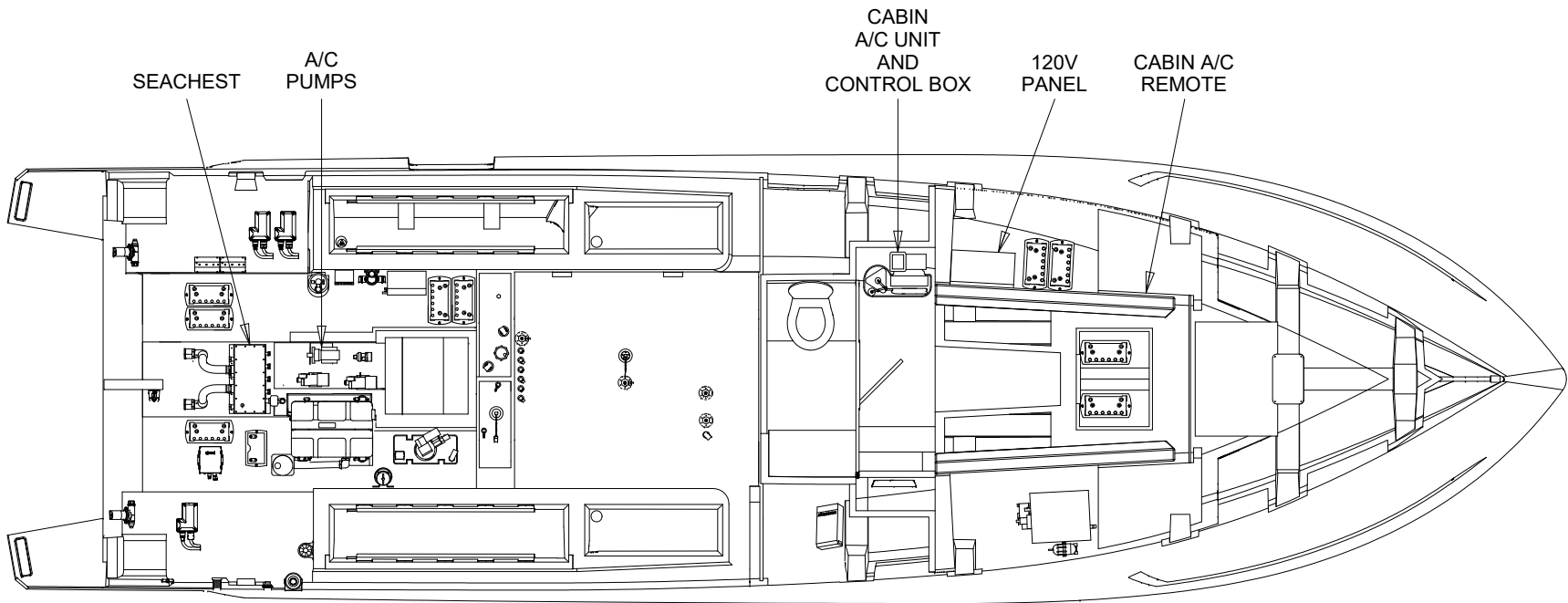
CABIN LAYOUT.....	124
DECK LAYOUT.....	125
EQUIPMENT ROOM LAYOUT.....	126
EXTERNAL DASH/UPPER CONSOLE LAYOUT.....	127
HARDTOP LAYOUT.....	128
INTERNAL DASH LAYOUT.....	129
LEANING POST LAYOUT.....	130



(REAR VIEW)

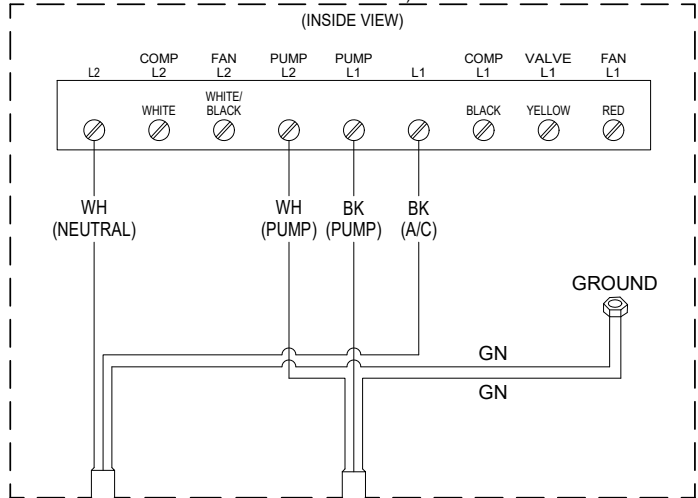
NOTE: BREAKER SIZES SUBJECT TO CHANGE WITHOUT NOTICE

TITLE: AC PANEL		THUNDERBIRD PRODUCTS
		P.O. BOX 1003
MOD.: 387CC	DR BY: CJS	DECATUR IN., 46733
NO.: 4	DATE: 7/25/23	(260) 724-9111

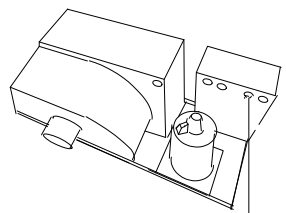


TITLE: AIR CONDITIONING OVERVIEW		THUNDERBIRD PRODUCTS
MOD.: 387CC		P.O. BOX 1003
NO.: 5	DR BY: CJS	DECATUR IN., 46733
	DATE: 7/25/23	(260) 724-9111

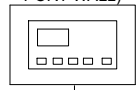
**AIR CONDITIONER CONTROL BOX**  
(LOCATED BEHIND CABIN STEPS)  
(INSIDE VIEW)



**CABIN AIR CONDITIONING**  
(LOCATED BEHIND CABIN STEPS)

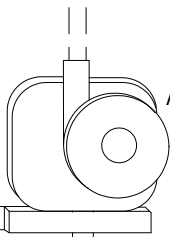


**DISPLAY**  
(LOCATED ON CABIN PORT WALL)



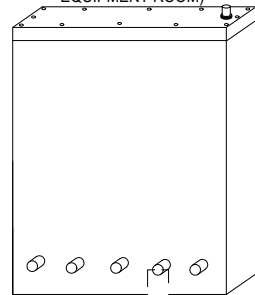
GRAY THERMOSTAT WIRE

(TO CABIN A/C UNIT)



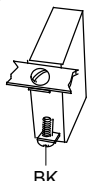
**AIR CONDITIONER PUMP**  
(EQUIPMENT ROOM)

**SEACHEST**  
(LOCATED IN EQUIPMENT ROOM)



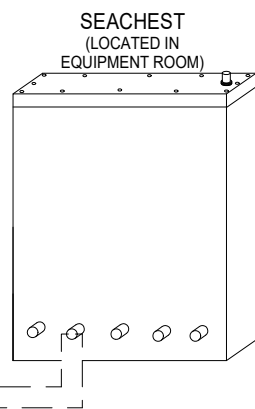
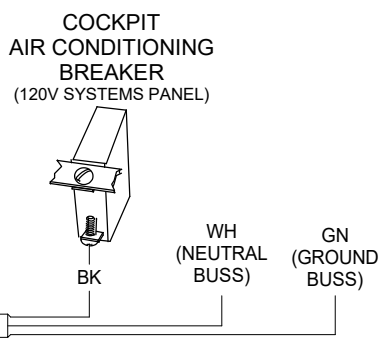
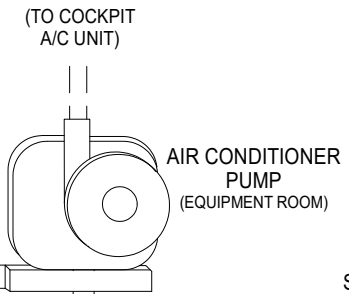
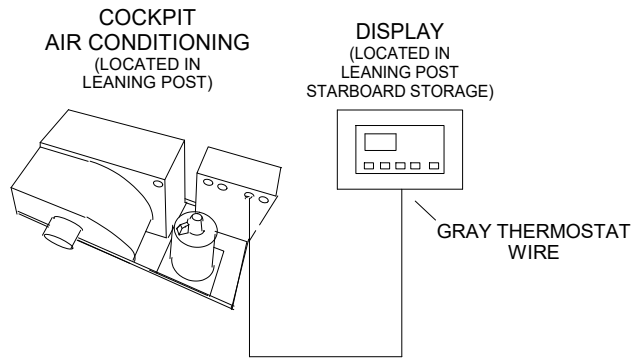
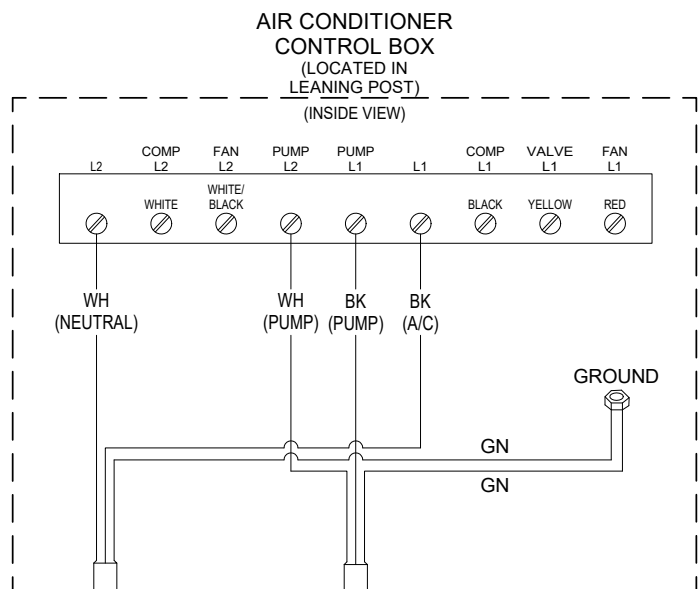
(WATER LINE)

**CABIN AIR CONDITIONING BREAKER**  
(120V SYSTEMS PANEL)



WH (NEUTRAL BUSS) GN (GROUND BUSS)

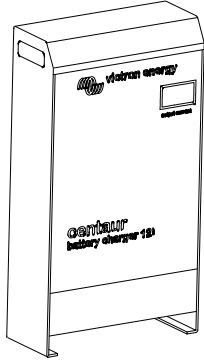
TITLE: AIR CONDITIONING CABIN		THUNDERBIRD PRODUCTS	
MOD.: 387CC		P.O. BOX 1003	
NO.: 6		DECATUR IN., 46733	
DATE: 7/25/23		(260) 724-9111	



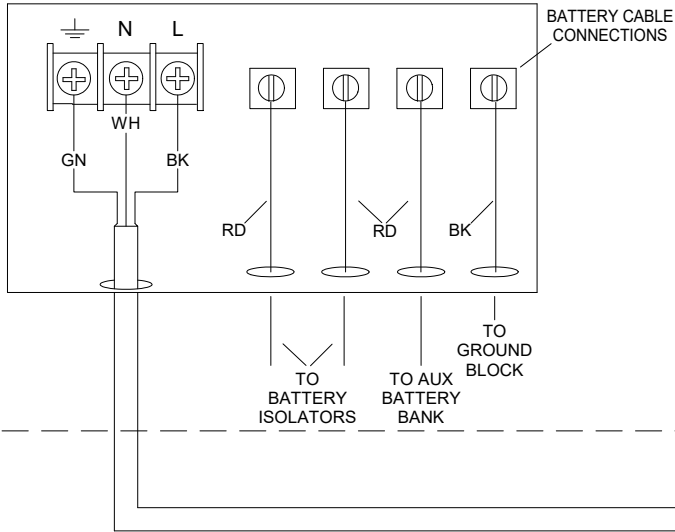
TITLE: AIR CONDITIONING COCKPIT		THUNDERBIRD PRODUCTS
MOD.: 387CC		P.O. BOX 1003
NO.: 7	DR BY: CJS	DECATUR IN., 46733
	DATE: 7/25/23	(260) 724-9111



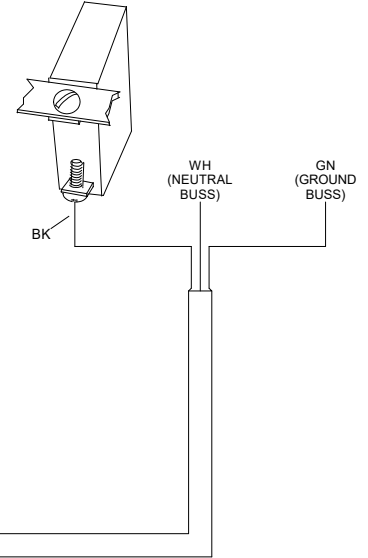
BATTERY CHARGER  
(LOCATED BEHIND HEAD  
UNIT VANITY)



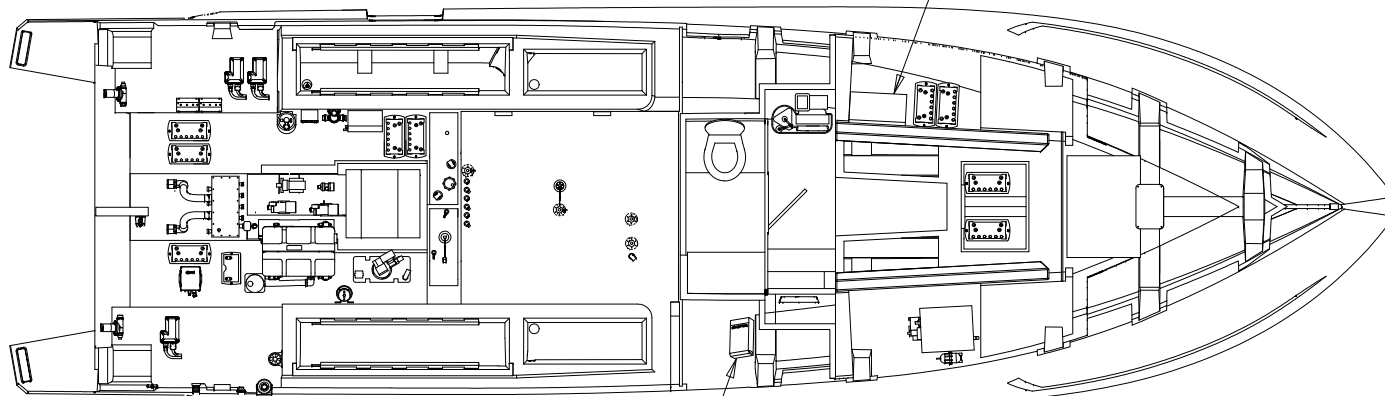
DETAIL VIEW  
(CONNECTIONS INSIDE)



BATTERY CHARGER  
BREAKER  
(120V SYSTEMS PANEL)

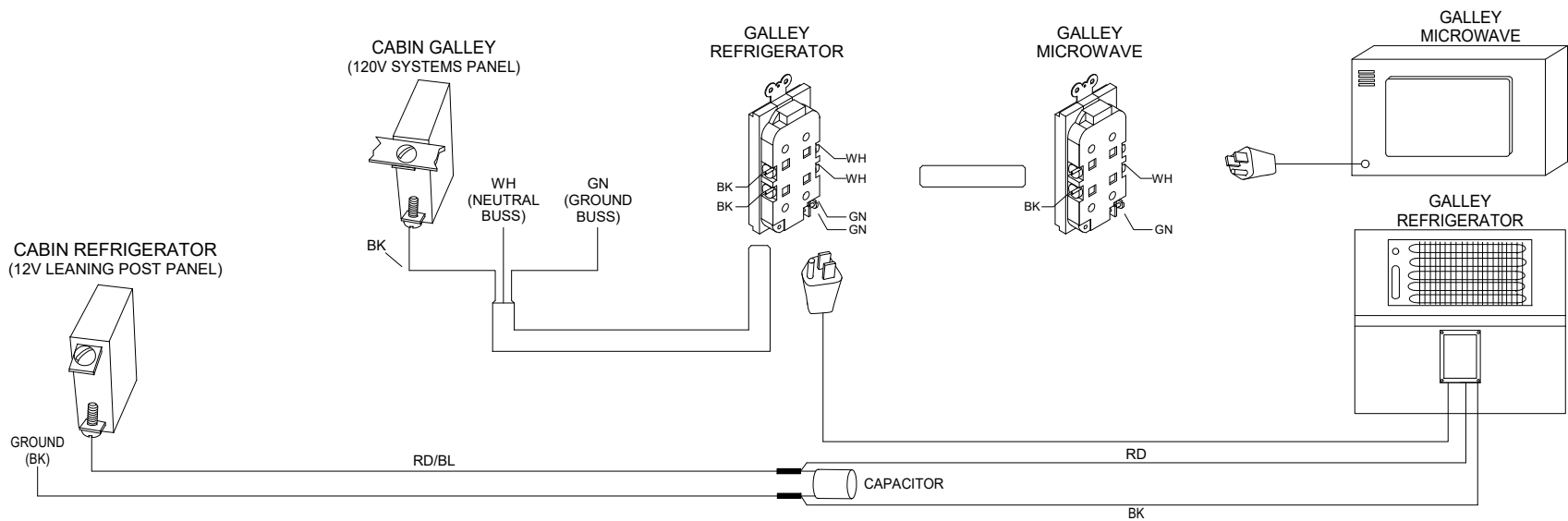


120V  
PANEL

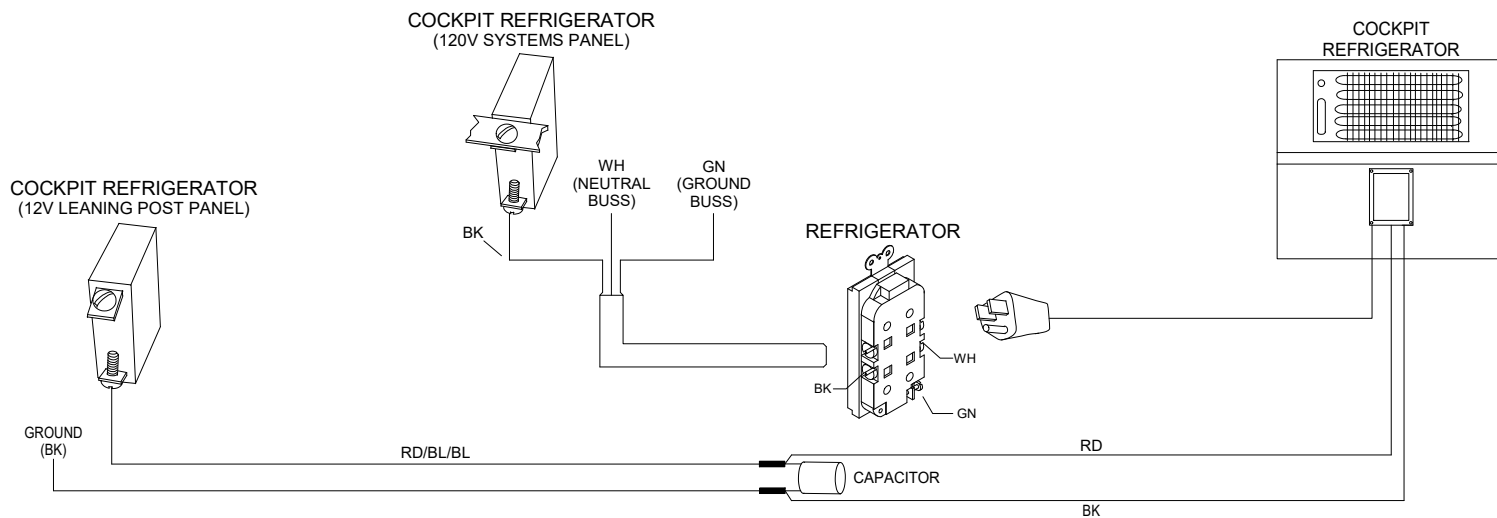


BATTERY  
CHARGER

TITLE:	BATTERY CHARGER	THUNDERBIRD PRODUCTS
MOD.:	387CC	P.O. BOX 1003
DR BY:	CJS	DECATUR IN., 46733
NO.:	8	(260) 724-9111
	DATE: 7/25/23	

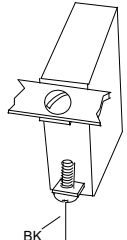


TITLE: CABIN GALLEY		THUNDERBIRD PRODUCTS
		P.O. BOX 1003
MOD.: 387CC	DR BY: CJS	DECATUR IN., 46733
NO.: 9A	DATE: 7/25/23	(260) 724-9111



TITLE: COCKPIT REFRIGERATOR		THUNDERBIRD PRODUCTS
		P.O. BOX 1003
MOD.: 387CC	DR BY: CJS	DECATUR IN., 46733
NO.: 9B	DATE: 7/25/23	(260) 724-9111

COCKPIT GRILL  
BREAKER  
(120V SYSTEMS PANEL)

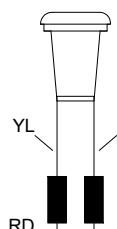


WH (NEUTRAL BUSS)  
GN (GROUND BUSS)

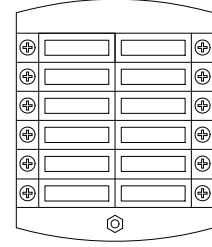
TO  
COCKPIT  
GRILL

GN/YL  
WH  
BK

SAFTEY  
SWITCH

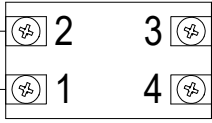


FUSE BLOCK  
(PORT SIDE  
LEANING POST)



TN/PR

SOLID STATE  
RELAY



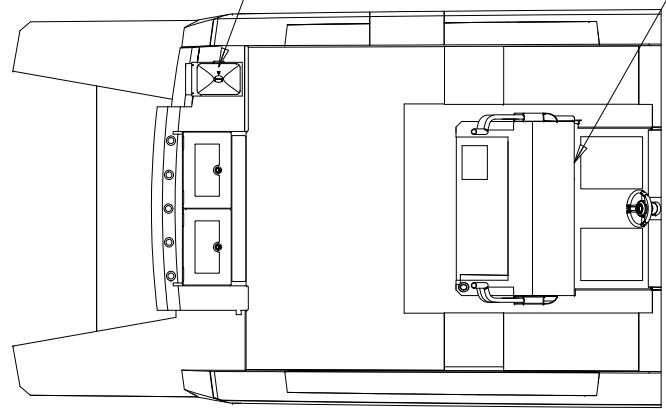
GROUND  
(BK)

JUNCTION BOX  
(LOCATED UNDER  
COCKPIT GRILL)

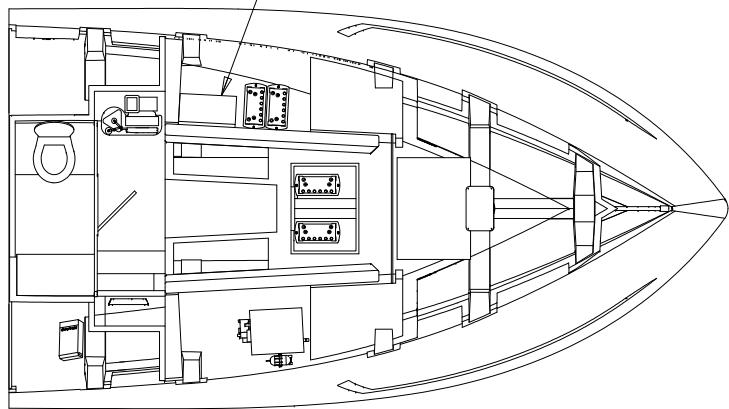
COCKPIT  
GRILL

FUSE  
BLOCK

120V  
PANEL



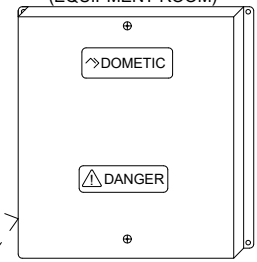
(DECK)



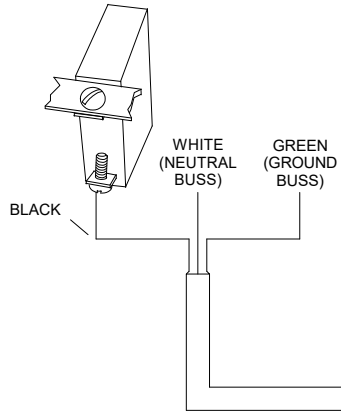
(CABIN)

TITLE:	COCKPIT GRILL	THUNDERBIRD PRODUCTS
MOD.:	387CC	P.O. BOX 1003
DR BY:	CJS	DECATUR IN., 46733
NO.:	10	DATE: 7/25/23
		(260) 724-9111

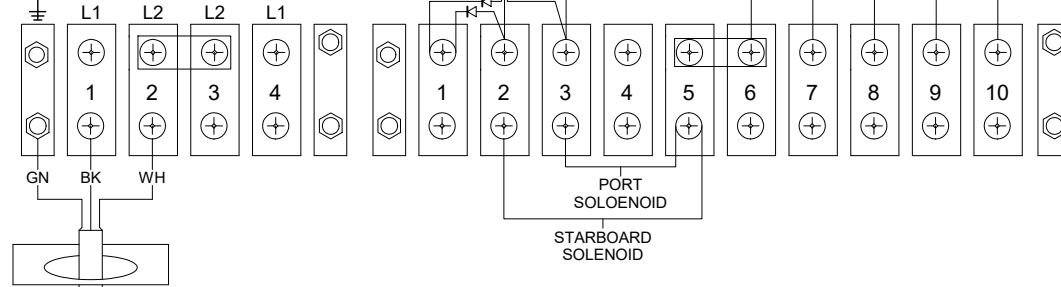
FISHBOX REFRIG/FRZ  
CONTROL BOX  
(EQUIPMENT ROOM)



FISHBOX REFRIG/FRZ  
BREAKER  
(120V SYSTEMS PANEL)

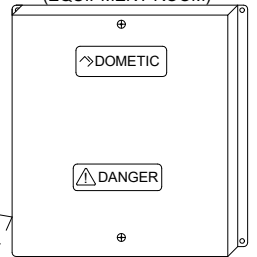


INCOMING POWER

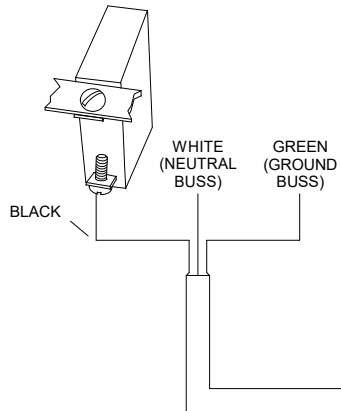


TITLE: FISHBOX FREEZER PLATES CAREL CONTROLS		THUNDERBIRD PRODUCTS
		P.O. BOX 1003
MOD.: 387CC	DR BY: CJS	DECATUR IN., 46733
NO.: 11	DATE: 7/25/23	(260) 724-9111

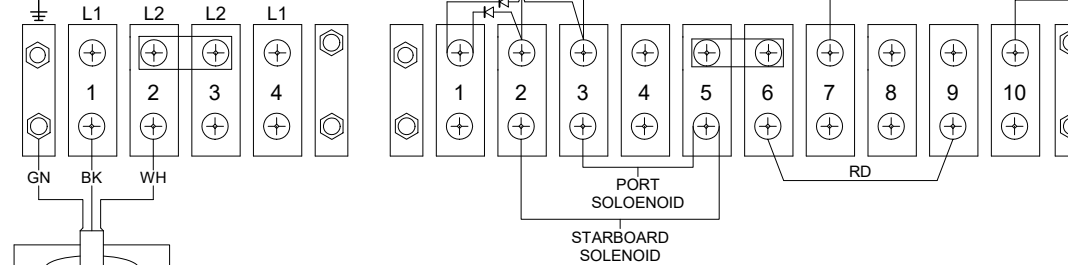
FISHBOX REFRIG/FRZ  
CONTROL BOX  
(EQUIPMENT ROOM)



FISHBOX REFRIG/FRZ  
BREAKER  
(120V SYSTEMS PANEL)

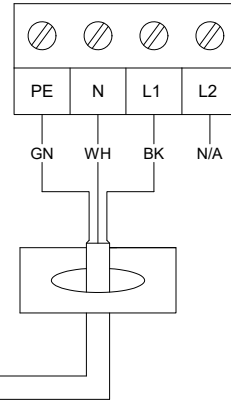
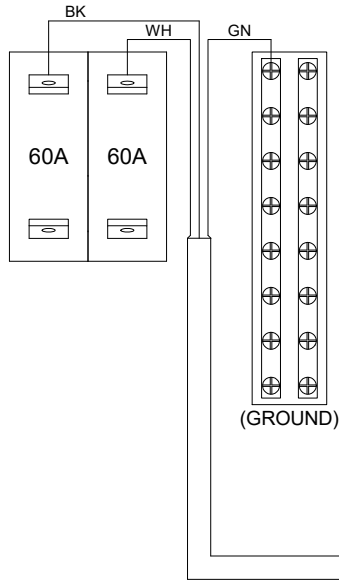


INCOMING POWER

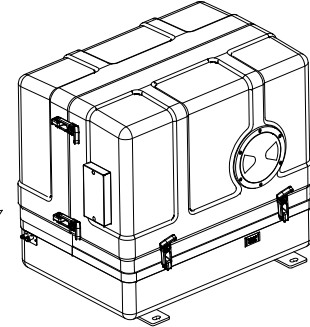


TITLE: FISHBOX FREEZER PLATES LOVE CONTROLS		THUNDERBIRD PRODUCTS
		P.O. BOX 1003
MOD.: 387CC	DR BY: CJS	DECATUR IN., 46733
NO.: 11	DATE: 7/25/23	(260) 724-9111

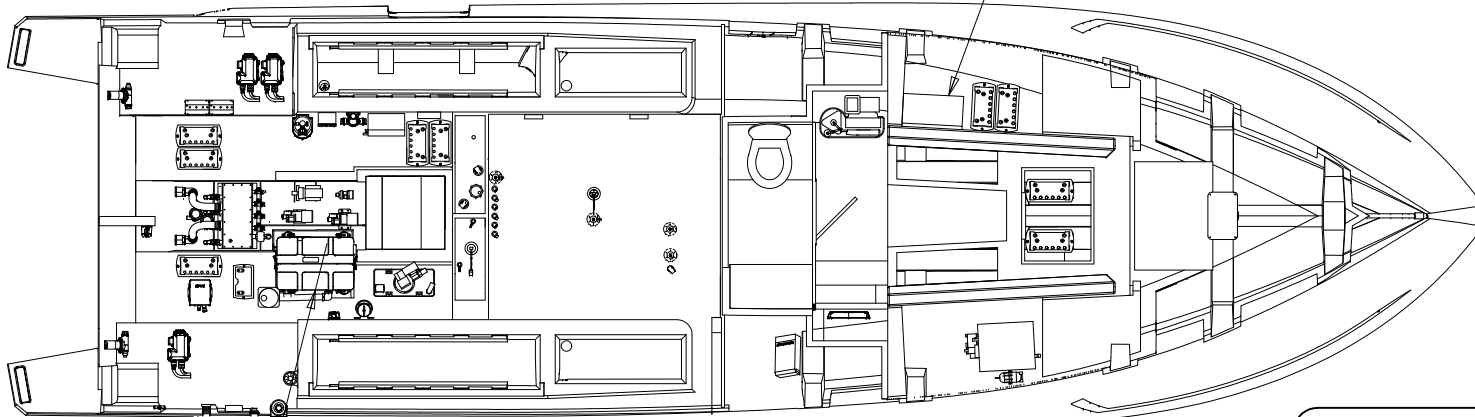
GENERATOR  
BREAKERS  
(120V SYSTEMS PANEL)



GENERATOR



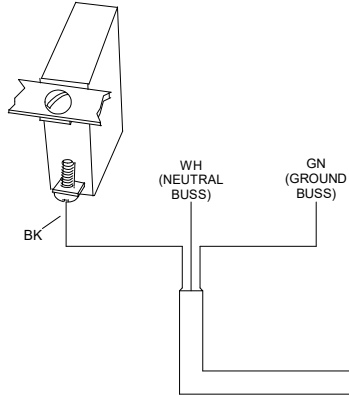
120V  
PANEL



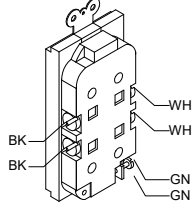
GENERATOR

TITLE: GENERATOR		THUNDERBIRD PRODUCTS	
		P.O. BOX 1003	
MOD.: 387CC	DR BY: CJS	DECATUR IN., 46733	
NO.: 12	DATE: 7/25/23	(260) 724-9111	

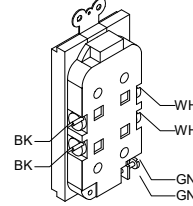
OUTLETS  
BREAKER  
(120V SYSTEMS PANEL)



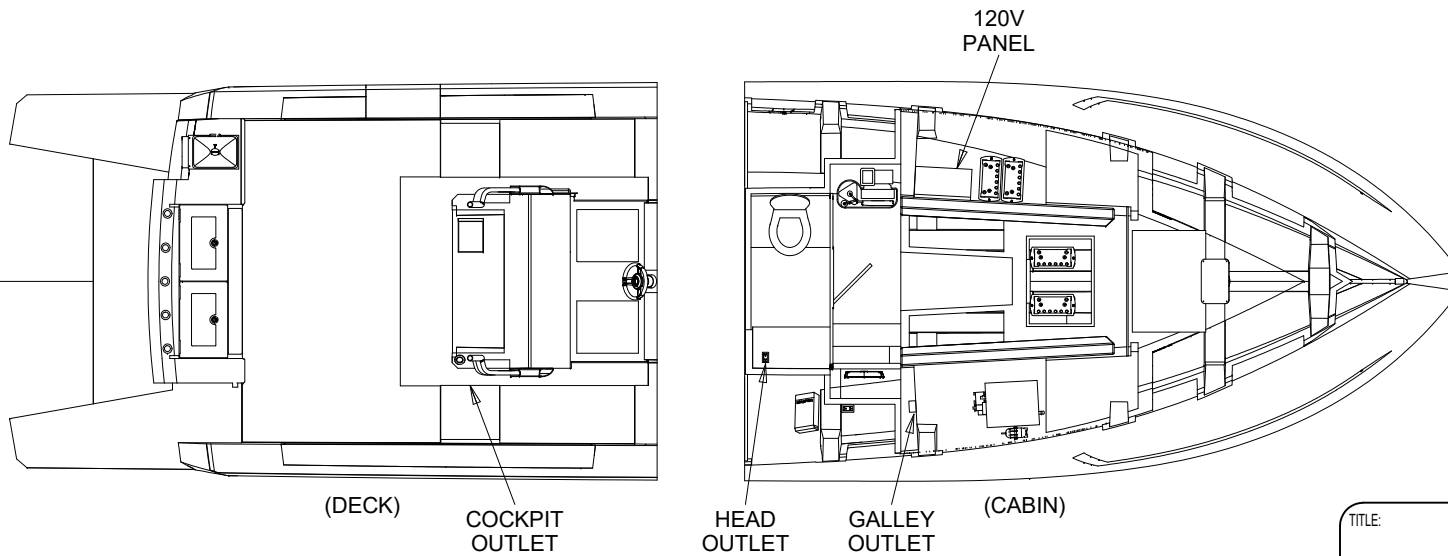
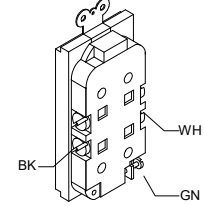
HEAD UNIT  
OUTLET  
(GFCI)



GALLEY  
OUTLET  
(GFCI)



COCKPIT  
OUTLET  
(GFCI)



(DECK)

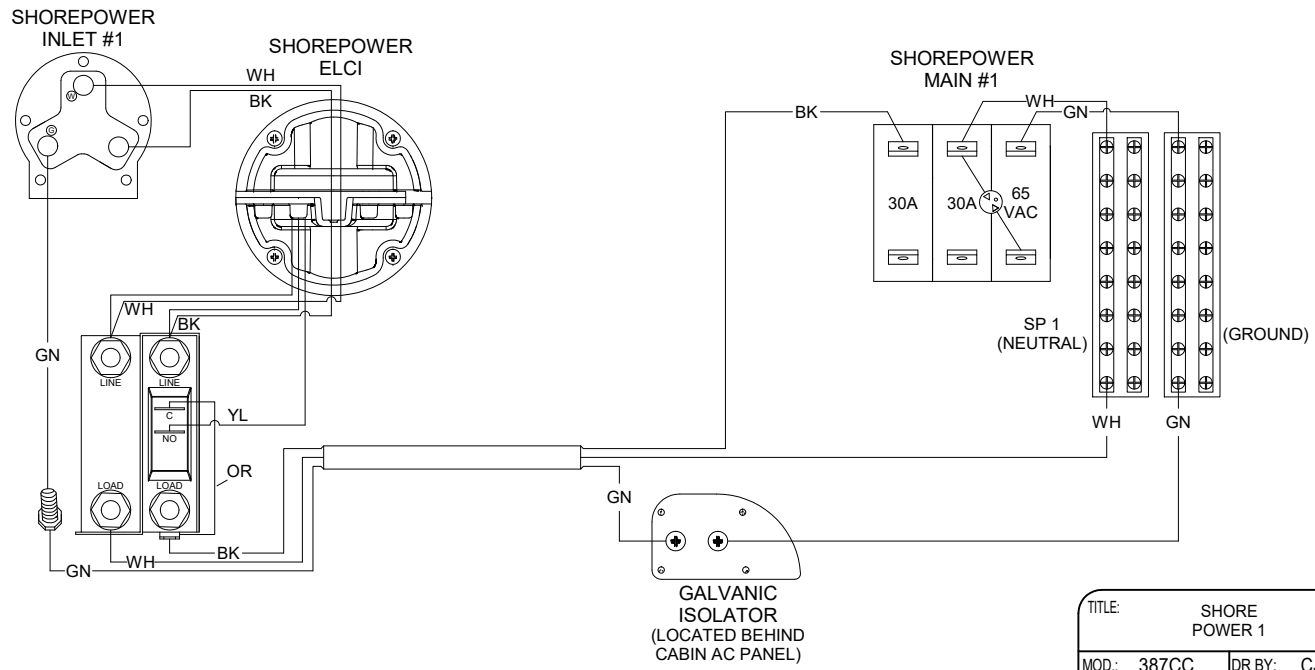
COCKPIT  
OUTLET

HEAD  
OUTLET

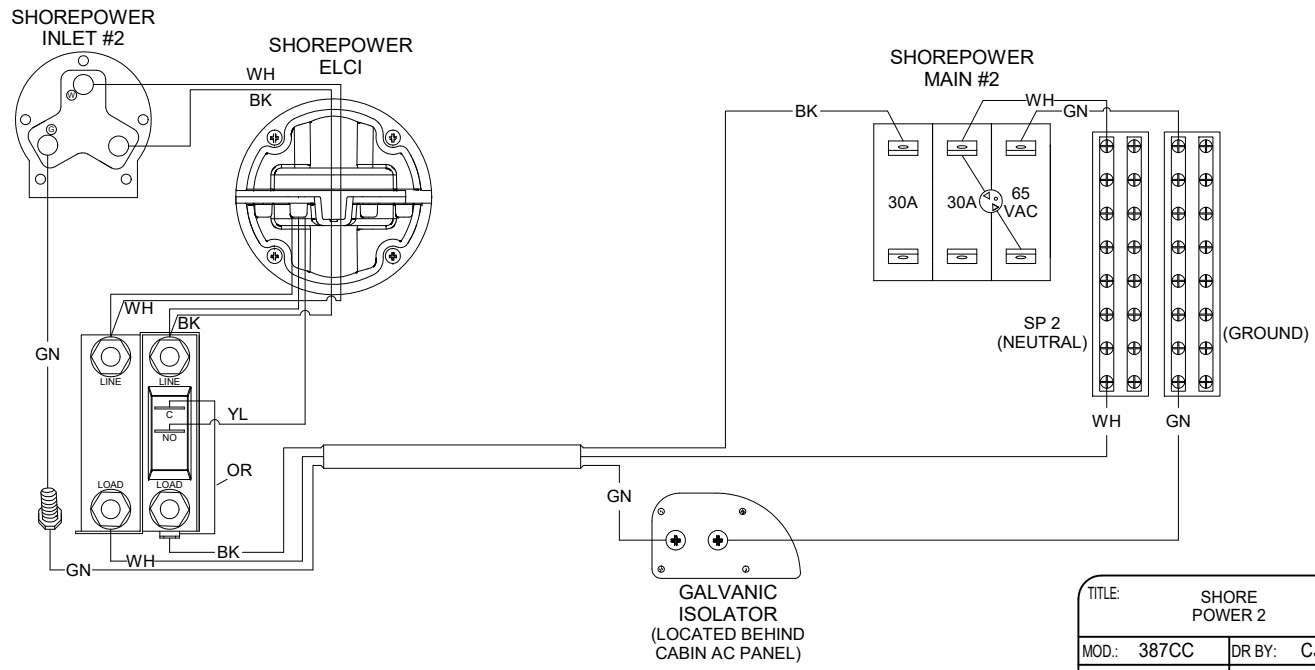
GALLEY  
OUTLET

(CABIN)

TITLE:	OUTLETS	THUNDERBIRD PRODUCTS
		P.O. BOX 1003
MOD.: 387CC	DR BY: CJS	DECATUR IN., 46733
NO: 13	DATE: 7/25/23	(260) 724-9111

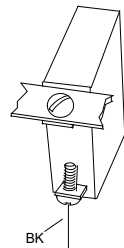


TITLE: SHORE POWER 1		THUNDERBIRD PRODUCTS
		P.O. BOX 1003
MOD.: 387CC	DR BY: CJS	DECATUR IN., 46733
NO.: 14A	DATE: 7/25/23	(260) 724-9111



TITLE: SHORE POWER 2		THUNDERBIRD PRODUCTS
		P.O. BOX 1003
MOD.: 387CC	DR BY: CJS	DECATUR IN., 46733
NO.: 14B	DATE: 7/25/23	(260) 724-9111

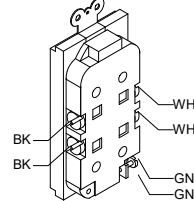
TV  
(120V SYSTEMS PANEL)



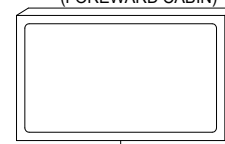
WH  
(NEUTRAL  
BUSS)

GN  
(GROUND  
BUSS)

TV  
OUTLET  
(BEHIND FORWARD  
CABIN PORT  
BACKREST)

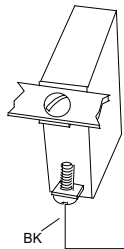


CABIN  
TV  
(FOREWARD CABIN)



TITLE: TV OUTLET		THUNDERBIRD PRODUCTS
		P.O. BOX 1003
MOD.: 387CC	DR BY: CJS	DECATUR IN., 46733
NO.: 15A	DATE: 7/25/23	(260) 724-9111

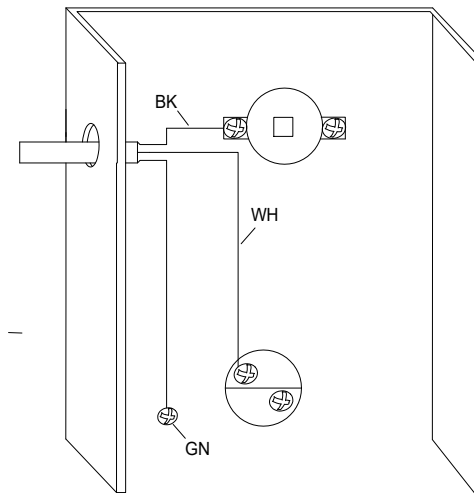
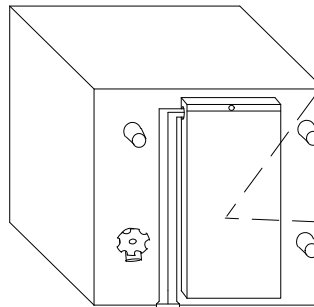
WATER HEATER  
(120V SYSTEMS PANEL)



WH  
(NEUTRAL  
BUSS)

GN  
(GROUND  
BUSS)

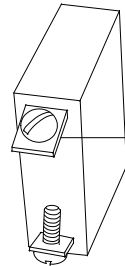
WATER HEATER  
(LOCATED BEHIND STARBOARD  
CABIN BACKREST)



TITLE: WATER HEATER		THUNDERBIRD PRODUCTS
		P.O. BOX 1003
MOD.: 387CC	DR BY: CJS	DECATUR IN., 46733
NO.: 15B	DATE: 7/25/23	(260) 724-9111

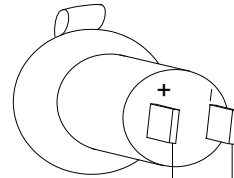


12 VOLT/USB OUTLET  
(12V LEANING POST PANEL)



POWER LEAD  
(RED)

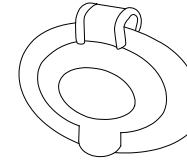
12V OUTLET  
(LOCATED UNDER  
DASH PORT SIDE)



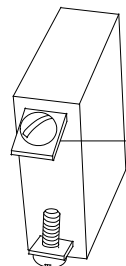
OR/PR

|| BK

(FRONT VIEW)

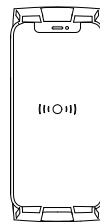


12 VOLT/USB OUTLET  
(12V LEANING POST PANEL)



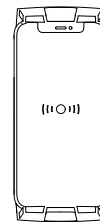
POWER LEAD  
(RED)

12V PHONE CHARGER  
(DASH PORT SIDE)



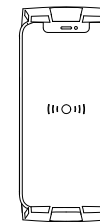
|| BK

12V PHONE CHARGER  
(DASH STBD SIDE)



|| BK

12V PHONE CHARGER  
(HEAD UNIT)



|| BK

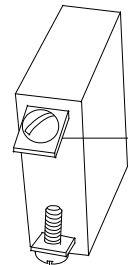
OR/PR

OR/PR

OR/PR

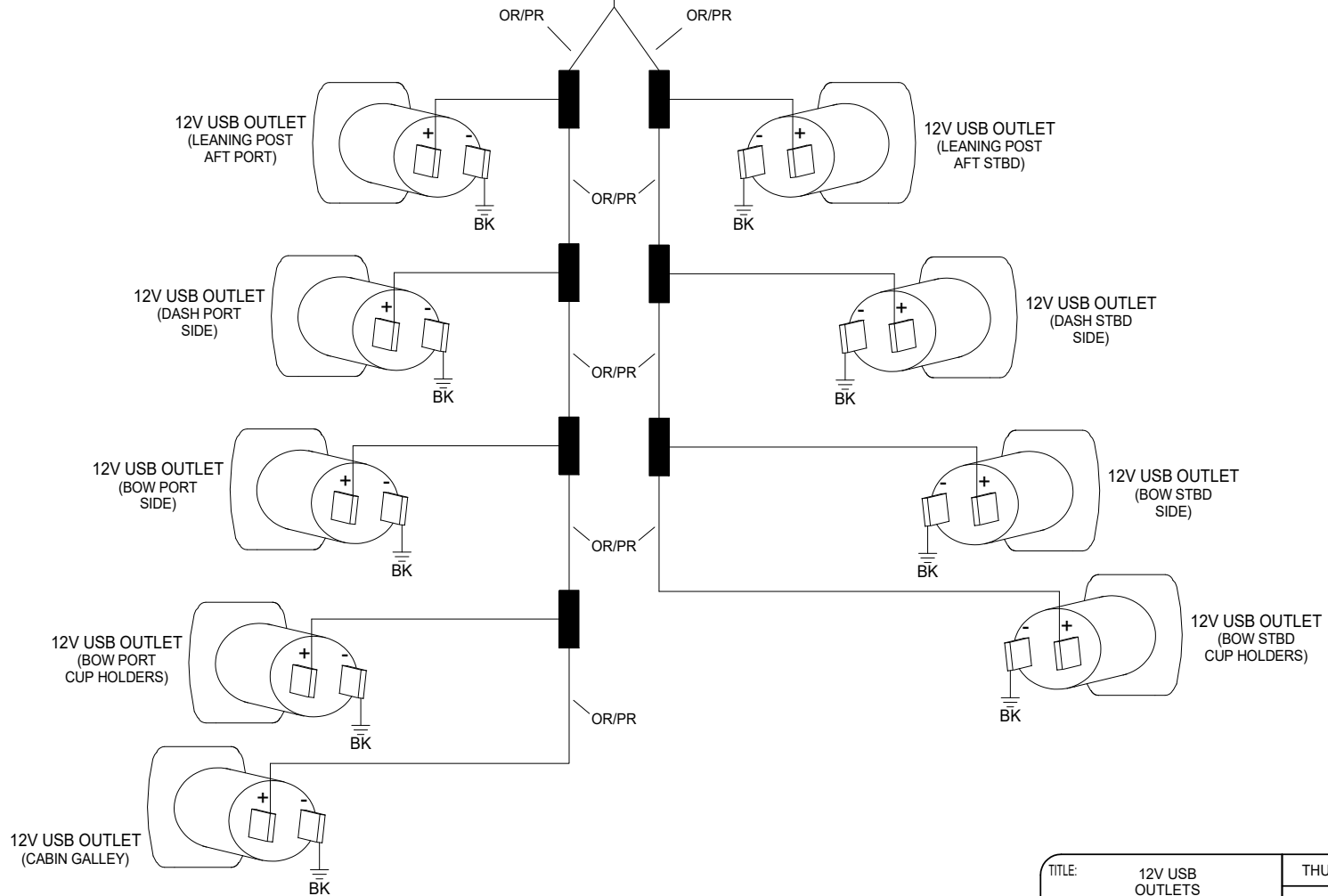
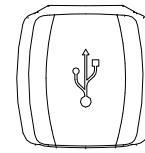
TITLE: 12V OUTLETS AND PHONE CHARGERS		THUNDERBIRD PRODUCTS
		P.O. BOX 1003
MOD.: 387CC	DR BY: CJS	DECATUR IN., 46733
NO.: 16	DATE: 7/25/23	(260) 724-9111

12 VOLT/USB OUTLET  
(12V LEANING POST PANEL)

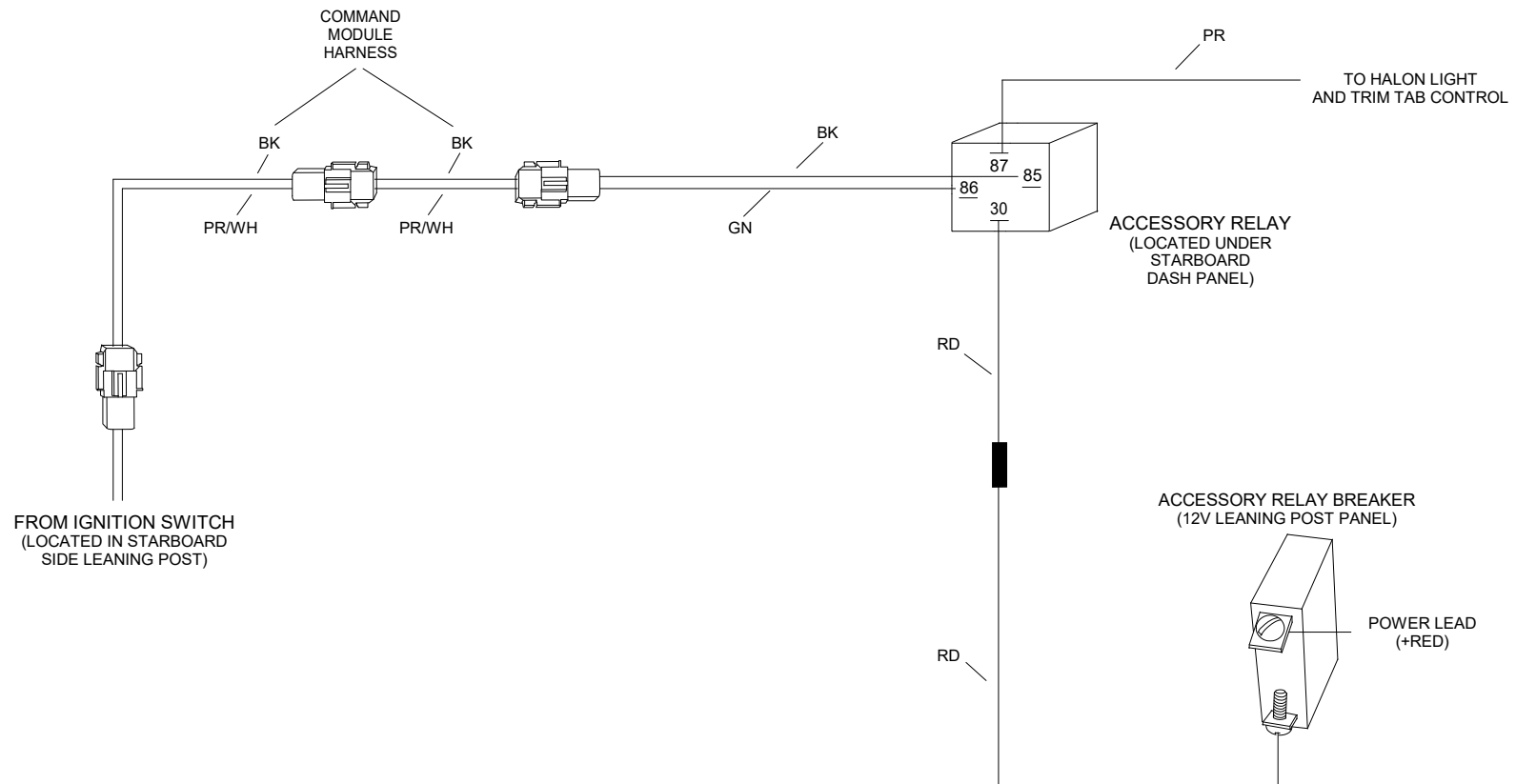


POWER LEAD  
(+RED)

(FRONT VIEW)

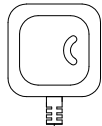


TITLE:	12V USB OUTLETS		THUNDERBIRD PRODUCTS
MOD.:	387CC	DR BY: CJS	P.O. BOX 1003
NO.:	17	DATE: 7/25/23	DECATUR IN., 46733
			(260) 724-9111

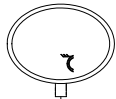


TITLE: ACCESSORY RELAY		THUNDERBIRD PRODUCTS
		P.O. BOX 1003
MOD.: 387CC	DR BY: CJS	DECATUR IN., 46733
NO.: 18	DATE: 7/25/23	(260) 724-9111

GPS ANTENNA  
ON STBD WALL  
IN HARDTOP



IRIDIUM ANTENNA  
ON STBD WALL  
IN HARDTOP



DISPLAY  
UPPER CONSOLE

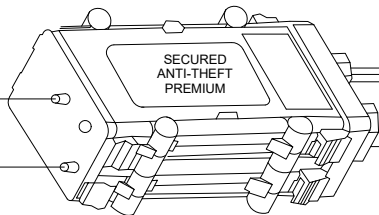


CONSTANT POWER  
12V AFT BREAKER PANEL

POWER LEAD  
(+PK/RD)



MERCURY PREMIUM  
ANTI-THEFT  
IN HARDTOP



DEDICATED  
CABLE

DEDICATED  
CABLE

BK

RD

J-BOX  
EXTENSION  
CABLE

RD

RD

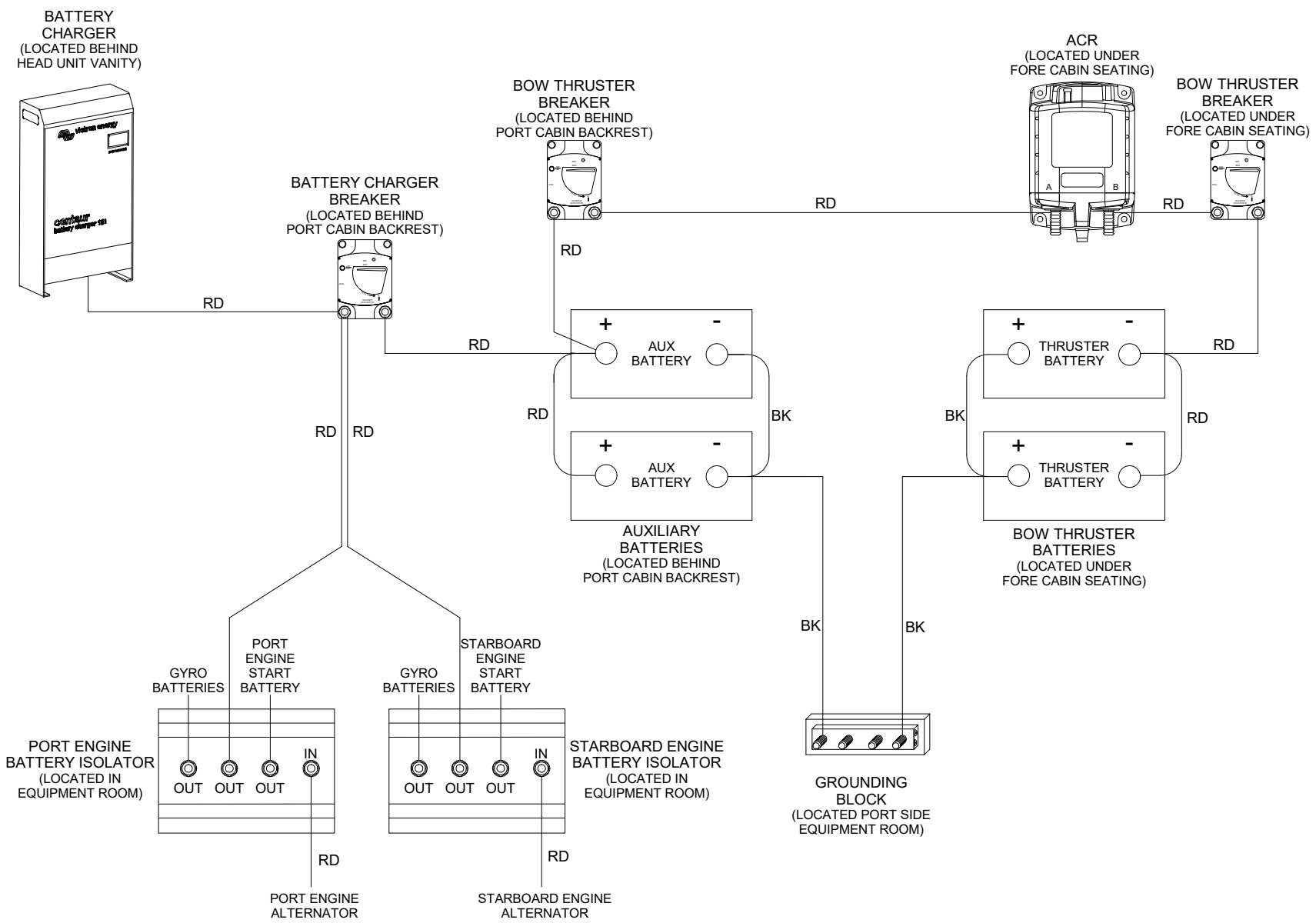
PK/WH

DEDICATED  
CABLE

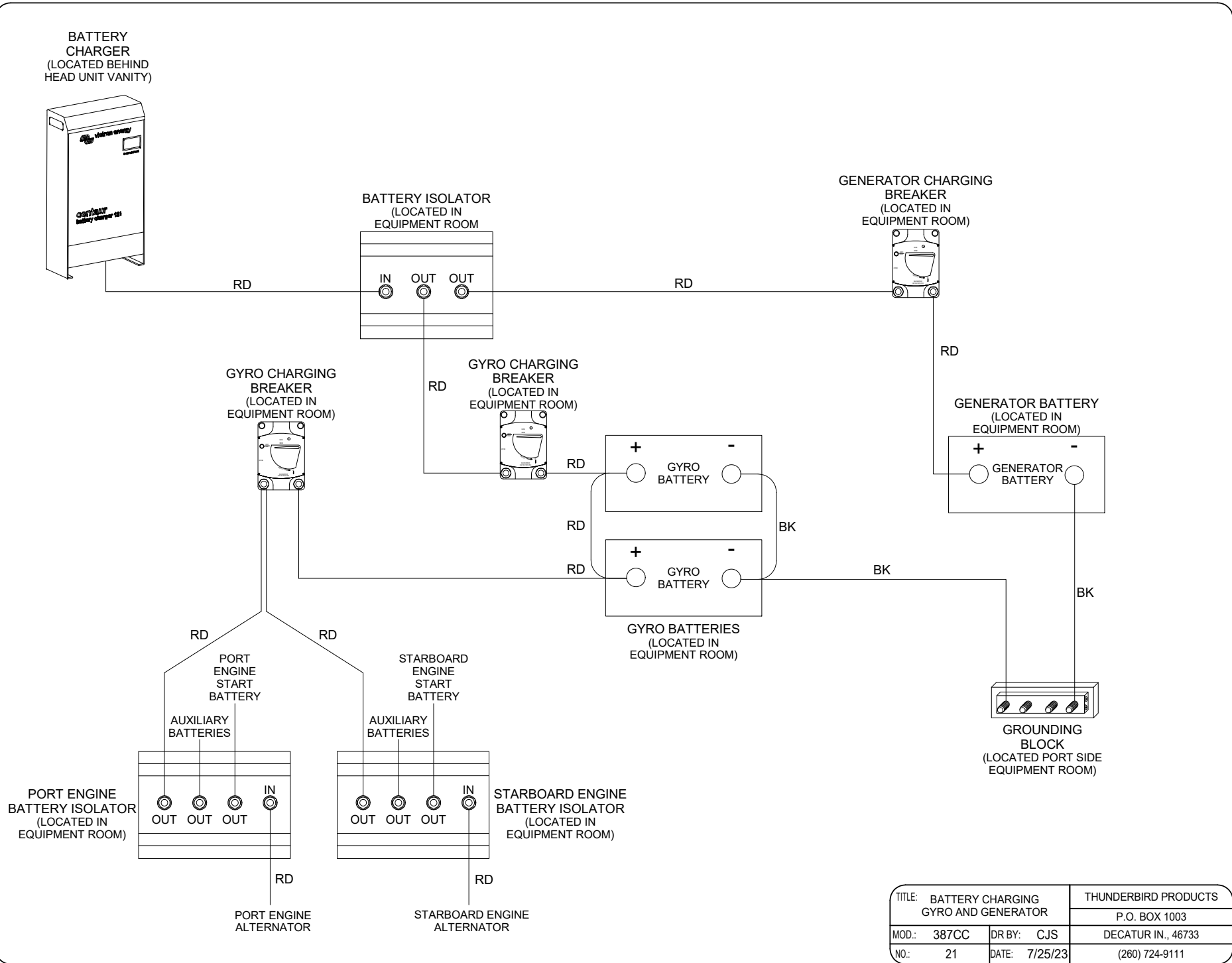
J-BOX 5 WAY  
IN HARDTOP



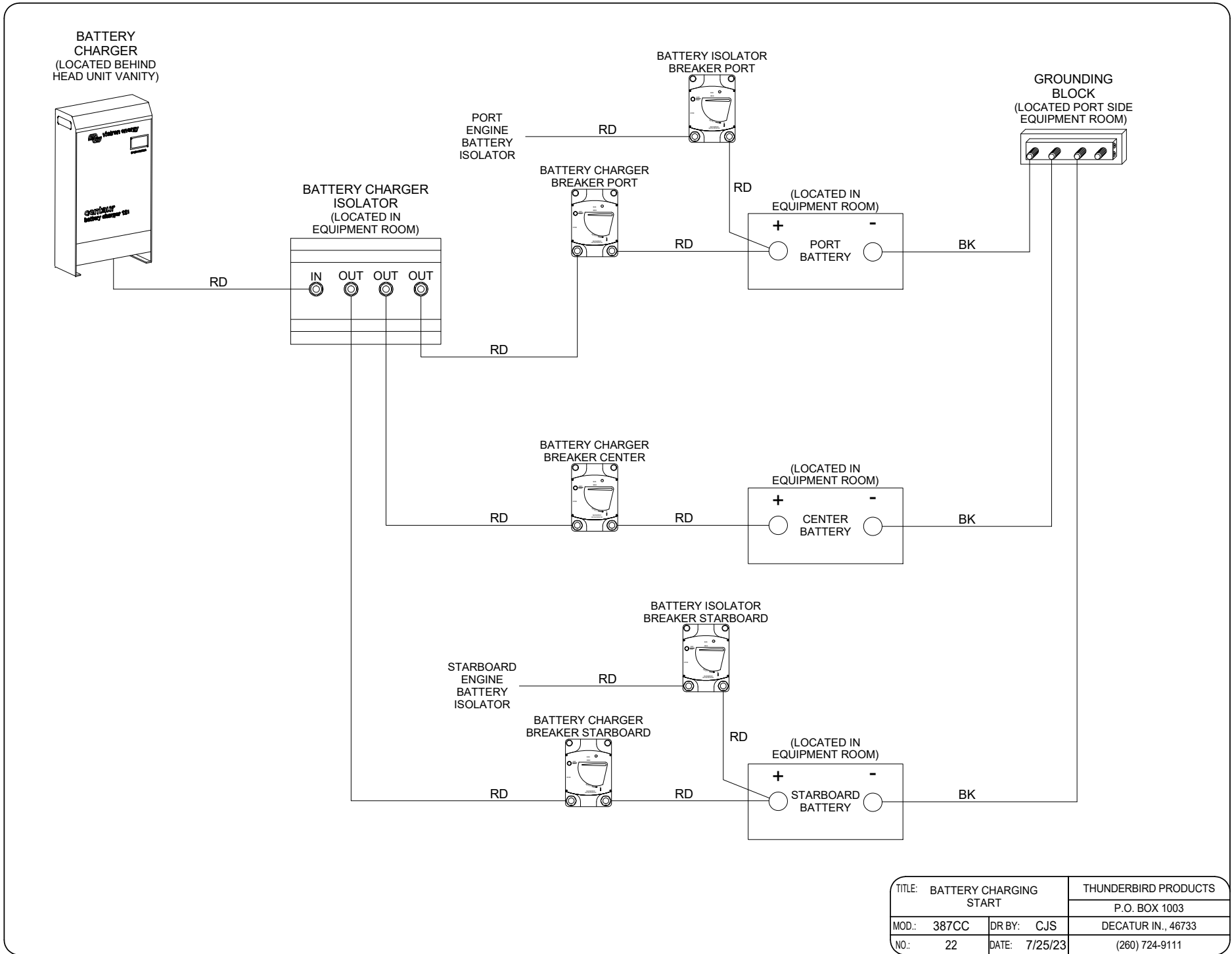
TITLE: ANTI-THEFT PREMIUM		THUNDERBIRD PRODUCTS	
		P.O. BOX 1003	
MOD.: 387CC	DR BY: JCD	DECATUR IN., 46733	
NO.: 19	DATE: 10/4/23	(260) 724-9111	



TITLE: BATTERY CHARGING AUXILIARY AND THRUSTER		THUNDERBIRD PRODUCTS
		P.O. BOX 1003
MOD.: 387CC	DR BY: C.JS	DECATUR IN., 46733
NO.: 20	DATE: 7/25/23	(260) 724-9111



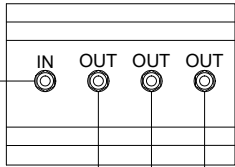
TITLE: BATTERY CHARGING GYRO AND GENERATOR		THUNDERBIRD PRODUCTS	
MOD.: 387CC		P.O. BOX 1003	
DR BY: CJS		DECATUR IN., 46733	
NO.: 21		DATE: 7/25/23	
		(260) 724-9111	



BATTERY CHARGER  
(LOCATED BEHIND HEAD UNIT VANITY)



BATTERY CHARGER ISOLATOR  
(LOCATED IN EQUIPMENT ROOM)



PORT ENGINE BATTERY ISOLATOR

BATTERY CHARGER BREAKER PORT



BATTERY ISOLATOR BREAKER PORT



(LOCATED IN EQUIPMENT ROOM)

PORT BATTERY

GROUNDING BLOCK  
(LOCATED PORT SIDE EQUIPMENT ROOM)



BATTERY CHARGER BREAKER CENTER



(LOCATED IN EQUIPMENT ROOM)

CENTER BATTERY

STARBOARD ENGINE BATTERY ISOLATOR

BATTERY CHARGER BREAKER STARBOARD



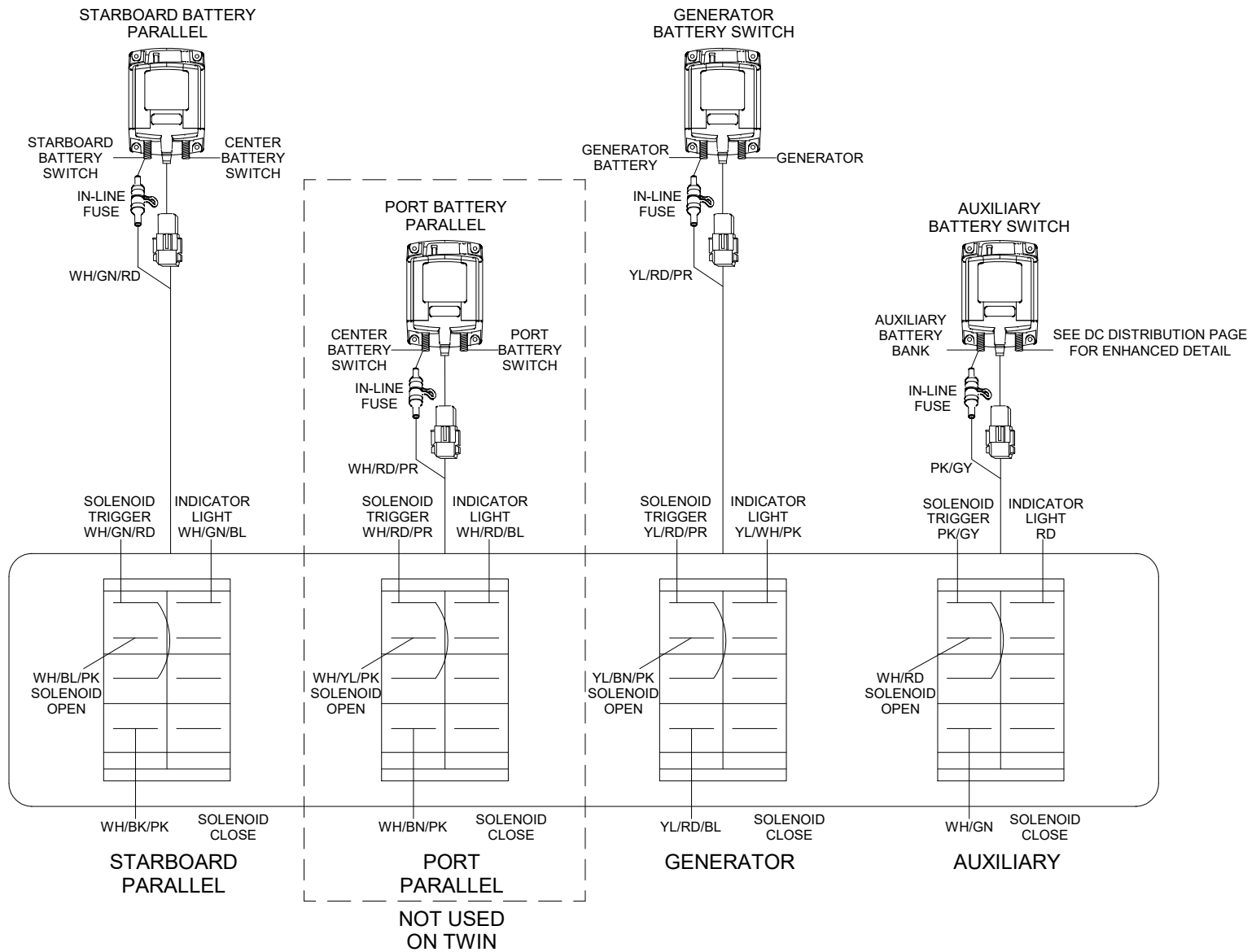
BATTERY ISOLATOR BREAKER STARBOARD



(LOCATED IN EQUIPMENT ROOM)

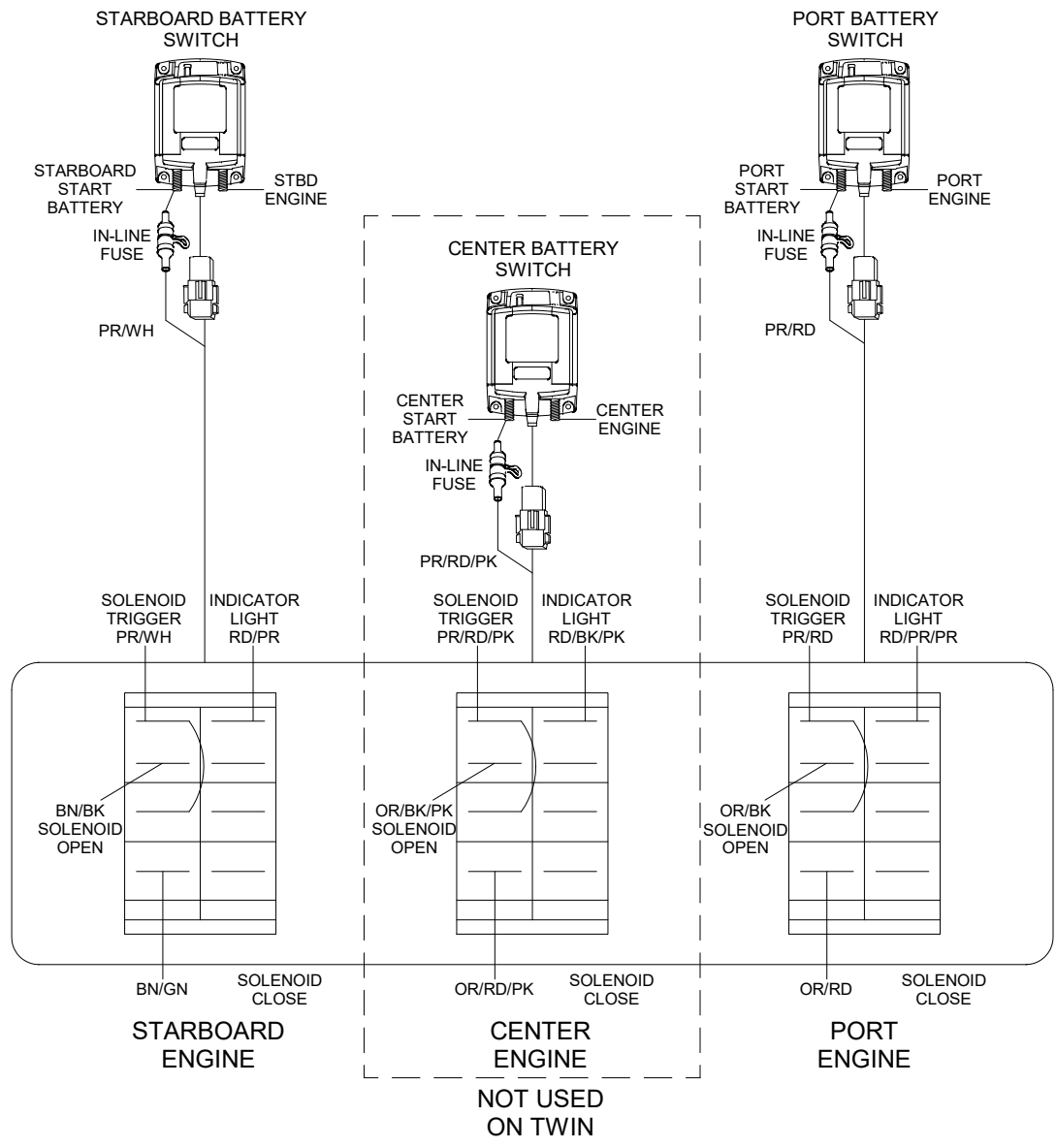
STARBOARD BATTERY

TITLE: BATTERY CHARGING START		THUNDERBIRD PRODUCTS	
		P.O. BOX 1003	
MOD.: 387CC	DR BY: CJS	DECATUR IN., 46733	
NO.: 22	DATE: 7/25/23	(260) 724-9111	



TITLE: BATTERY SWITCHES AUX, GENERATOR, AND PARALLEL		THUNDERBIRD PRODUCTS
		P.O. BOX 1003
MOD.: 387CC	DR BY: CJS	DECATUR IN., 46733
NO.: 23	DATE: 7/25/23	(260) 724-9111

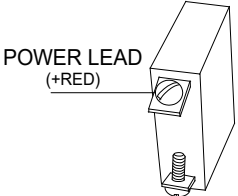




TITLE:	BATTERY SWITCHES START	THUNDERBIRD PRODUCTS
MOD.:	387CC	P.O. BOX 1003
DR BY:	CJS	DECATUR IN., 46733
NO.:	24	DATE: 7/25/23
		(260) 724-9111

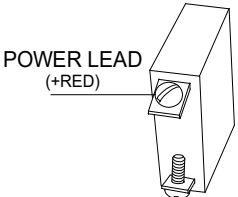
**FIRE SHUTDOWN  
BEHIND CENTER  
DASH ACCESS**

**FIRE SYSTEM  
12V LEANING POST PANEL**

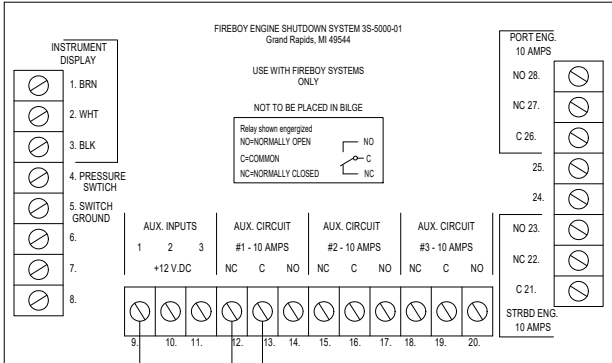


GN/OR/PK

**BILGE BLOWER  
12V LEANING POST PANEL**

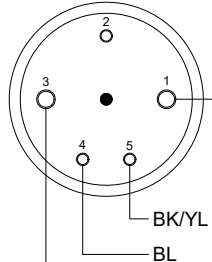


YL/BN/RD



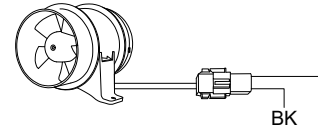
YL/BN

**BILGE BLOWER  
STARBOARD  
DASH SWITCHES**



YL

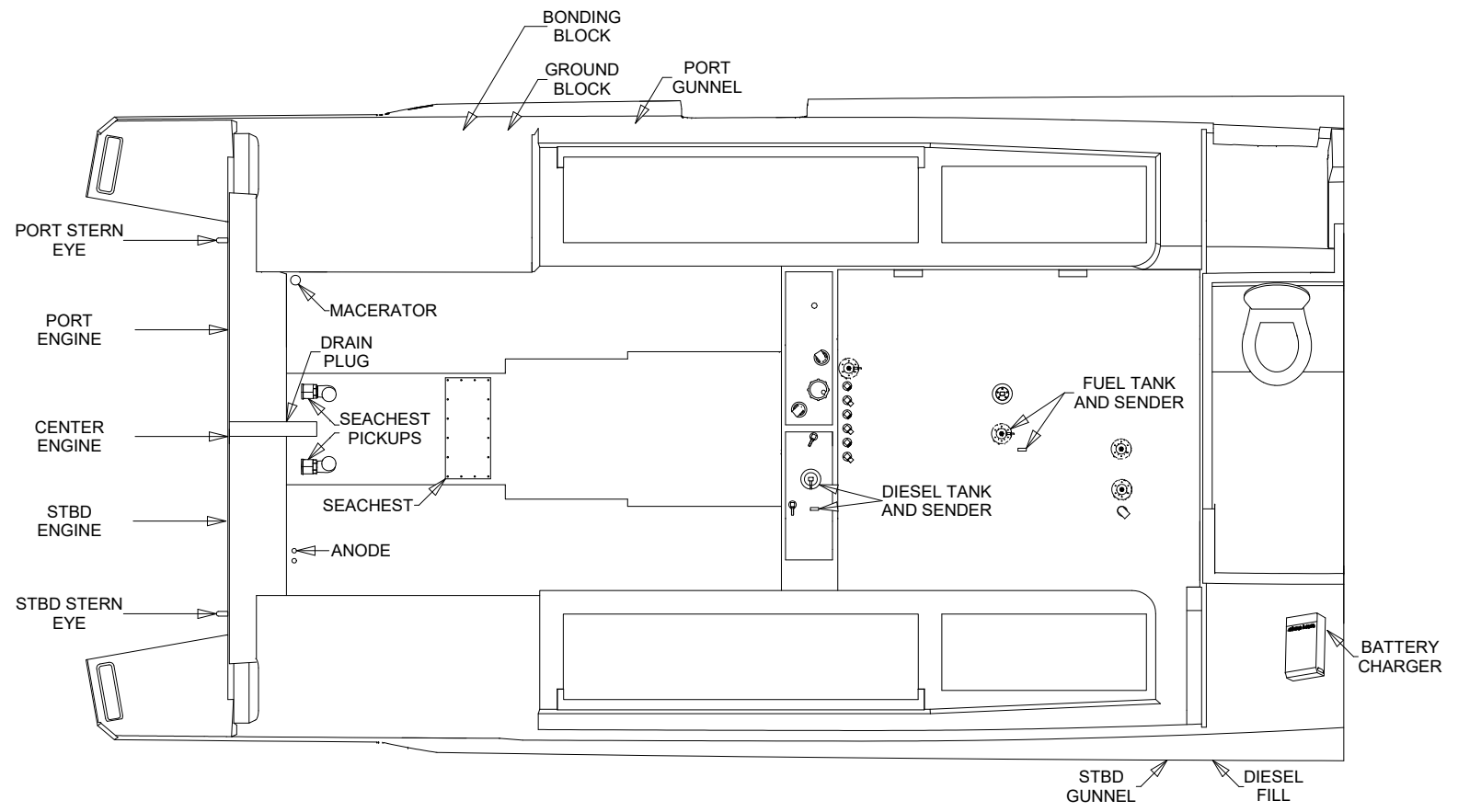
**BILGE BLOWER  
MOTOR  
STARBOARD SIDE  
EQUIPMENT ROOM**



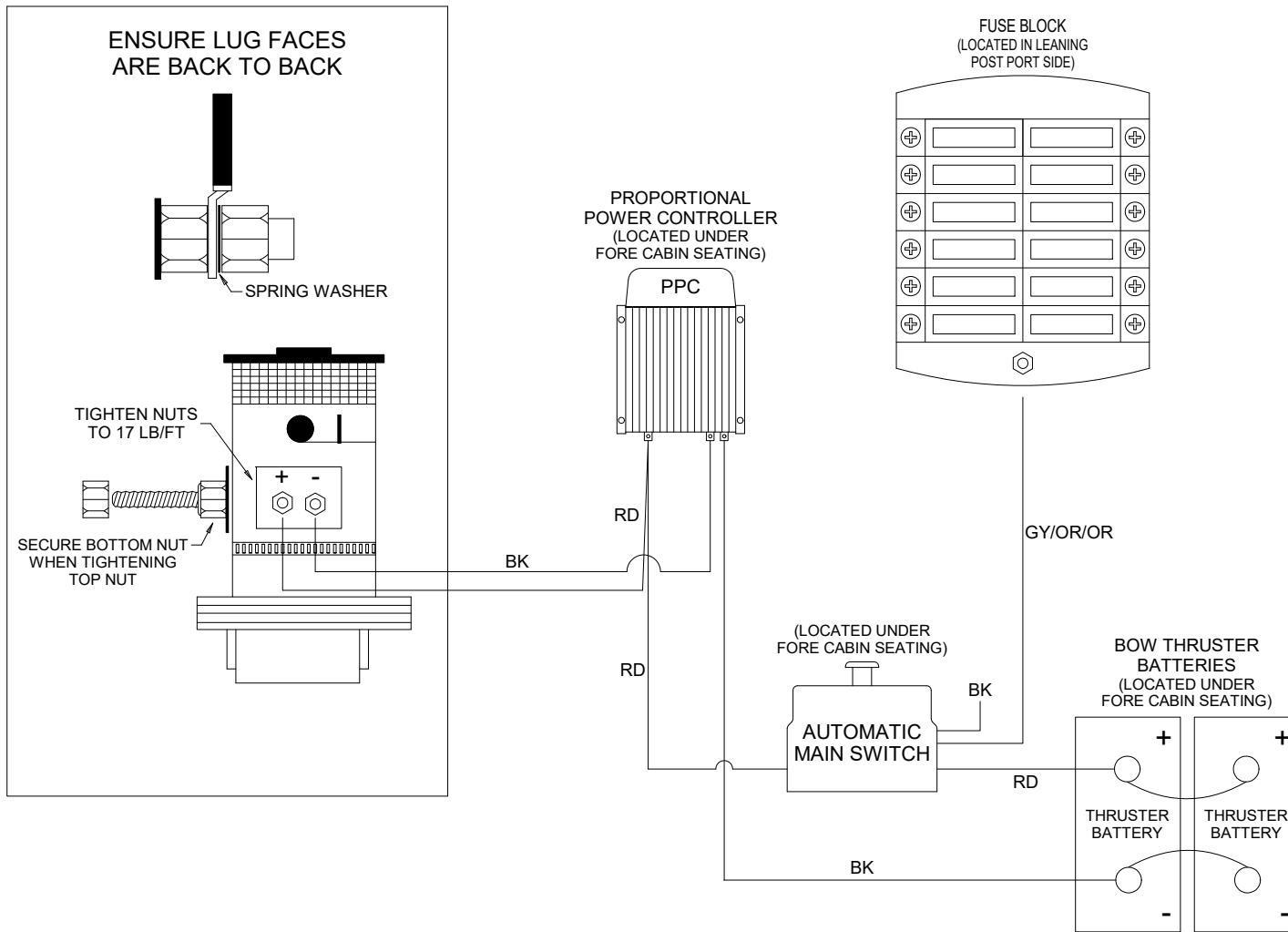
BK

TITLE:		BILGE BLOWER		THUNDERBIRD PRODUCTS	
				P.O. BOX 1003	
MOD.:	387CC	DR BY:	JCD	DECATUR IN., 46733	
NO.:	25	DATE:	10/3/23	(260) 724-9111	

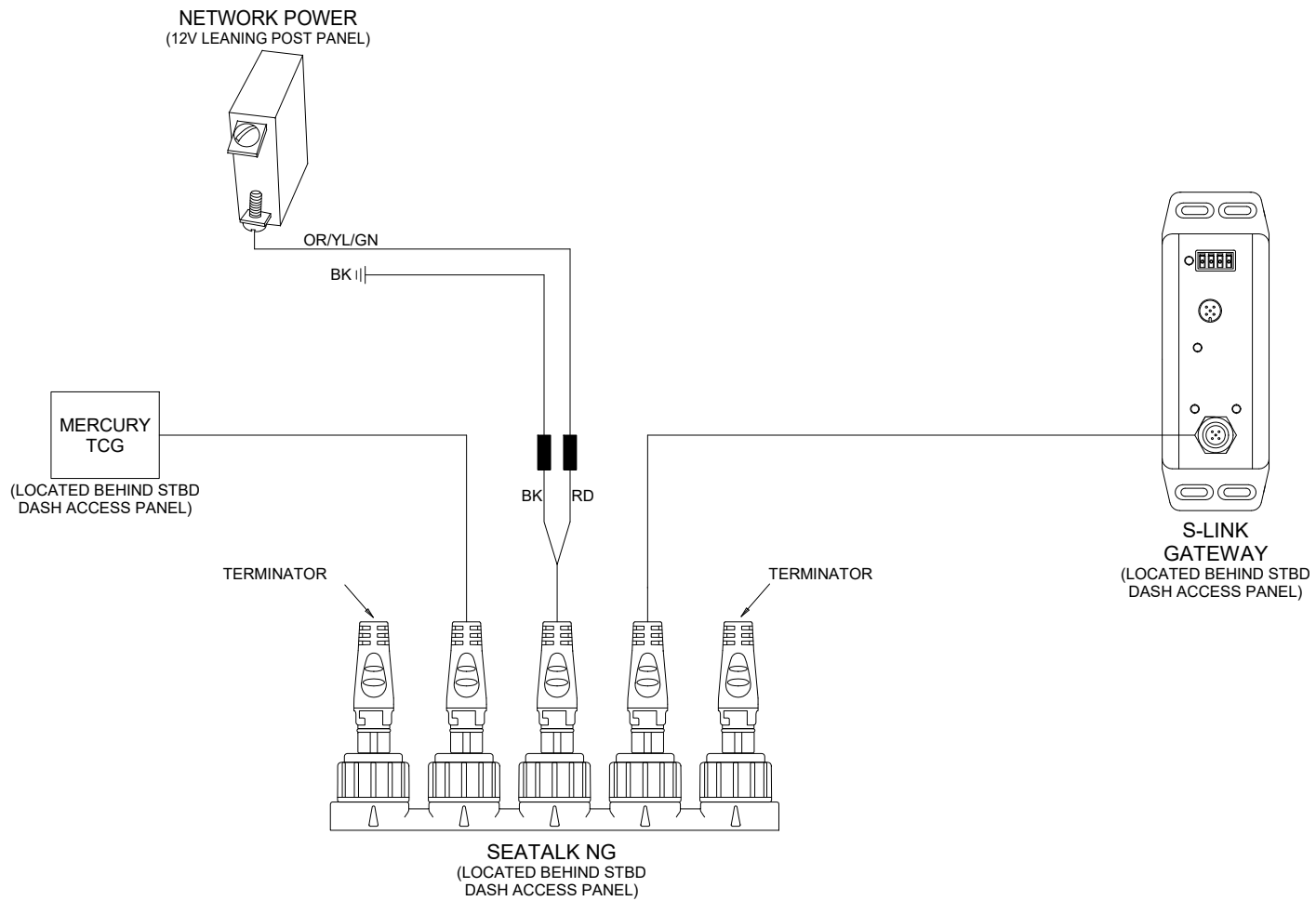
NOTE: ALL BONDING WIRES ARE LIGHT GREEN



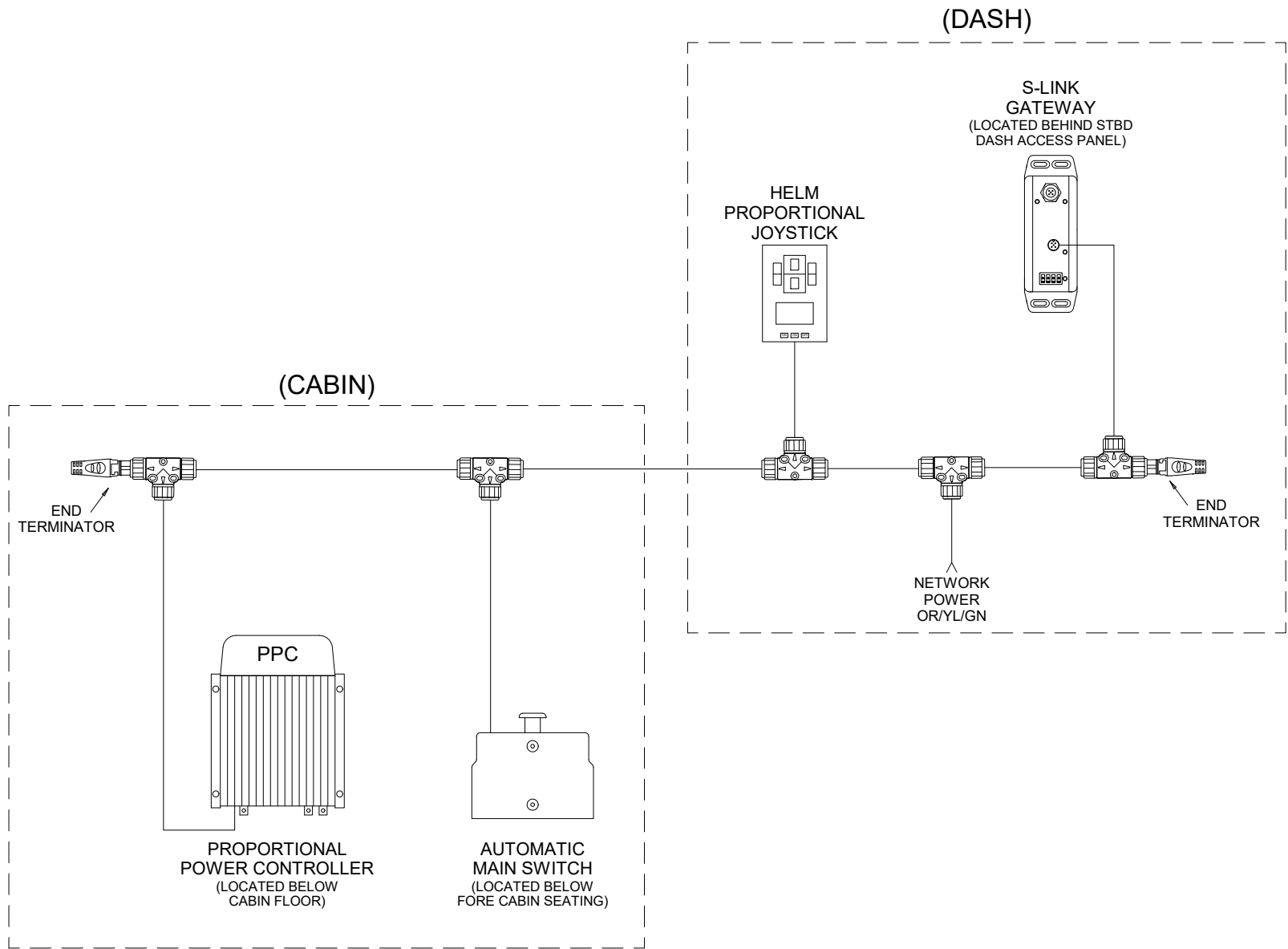
TITLE: BONDING		THUNDERBIRD PRODUCTS
		P.O. BOX 1003
MOD.: 387CC	DR BY: CJS	DECATUR IN., 46733
NO.: 26	DATE: 7/25/23	(260) 724-9111



TITLE:	BOW THRUSTER ELECTRICAL	THUNDERBIRD PRODUCTS
MOD.:	387CC	P.O. BOX 1003
NO.:	27	DECATUR IN., 46733
	DATE: 7/25/23	(260) 724-9111

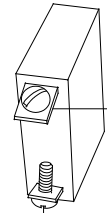


TITLE:	BOW THRUSTER MERCURY INTERFACE	THUNDERBIRD PRODUCTS
MOD.:	387CC	P.O. BOX 1003
DR BY:	CJS	DECATUR IN., 46733
NO.:	28	DATE: 7/25/23
		(260) 724-9111



TITLE: BOW THRUSTER NETWORK		THUNDERBIRD PRODUCTS
		P.O. BOX 1003
MOD.: 387CC	DR BY: CJS	DECATUR IN., 46733
NO.: 29	DATE: 7/25/23	(260) 724-9111

CO DETECTOR  
(12V LEANING POST PANEL)



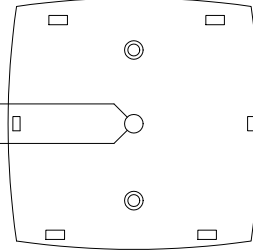
POWER LEAD  
(+RED)

OR/BN

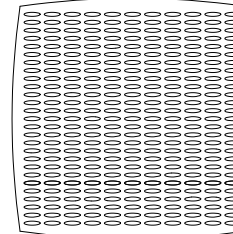
BK

IN-LINE  
FUSE

CO DETECTOR  
(CABIN GALLEY)



CO DETECTOR  
(FRONT VIEW)

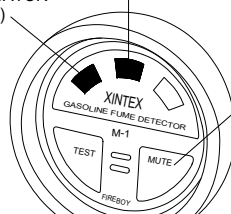


TITLE: CARBON MONOXIDE DETECTOR		THUNDERBIRD PRODUCTS	
		P.O. BOX 1003	
MOD.: 387CC	DR BY: CJS	DECATUR IN., 46733	
NO.: 30A	DATE: 7/25/23	(260) 724-9111	

TO TEST THE DISPLAY, PRESS AND HOLD THE TEST BUTTON. THE WARNING INDICATOR SHOULD LIGHT IMMEDIATELY, AND THE ALARM WILL SOUND AFTER 10 SECONDS. USE THE MUTE BUTTON TO SILENCE THE ALARM.

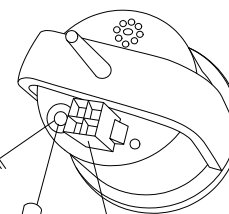
WARNING INDICATOR  
(RED)

POWER INDICATOR  
(GREEN)



FUME DETECTOR  
(FRONT VIEW)

FUME DETECTOR  
(LOCATED ON  
ELECTRONICS BOX)

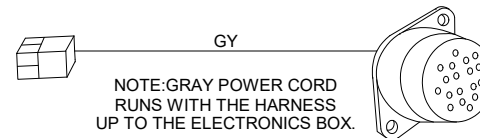


BK

IN-LINE  
FUSE

RD

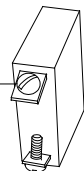
FUME SENSOR  
(EQUIPMENT ROOM)



NOTE: GRAY POWER CORD  
RUNS WITH THE HARNESS  
UP TO THE ELECTRONICS BOX.

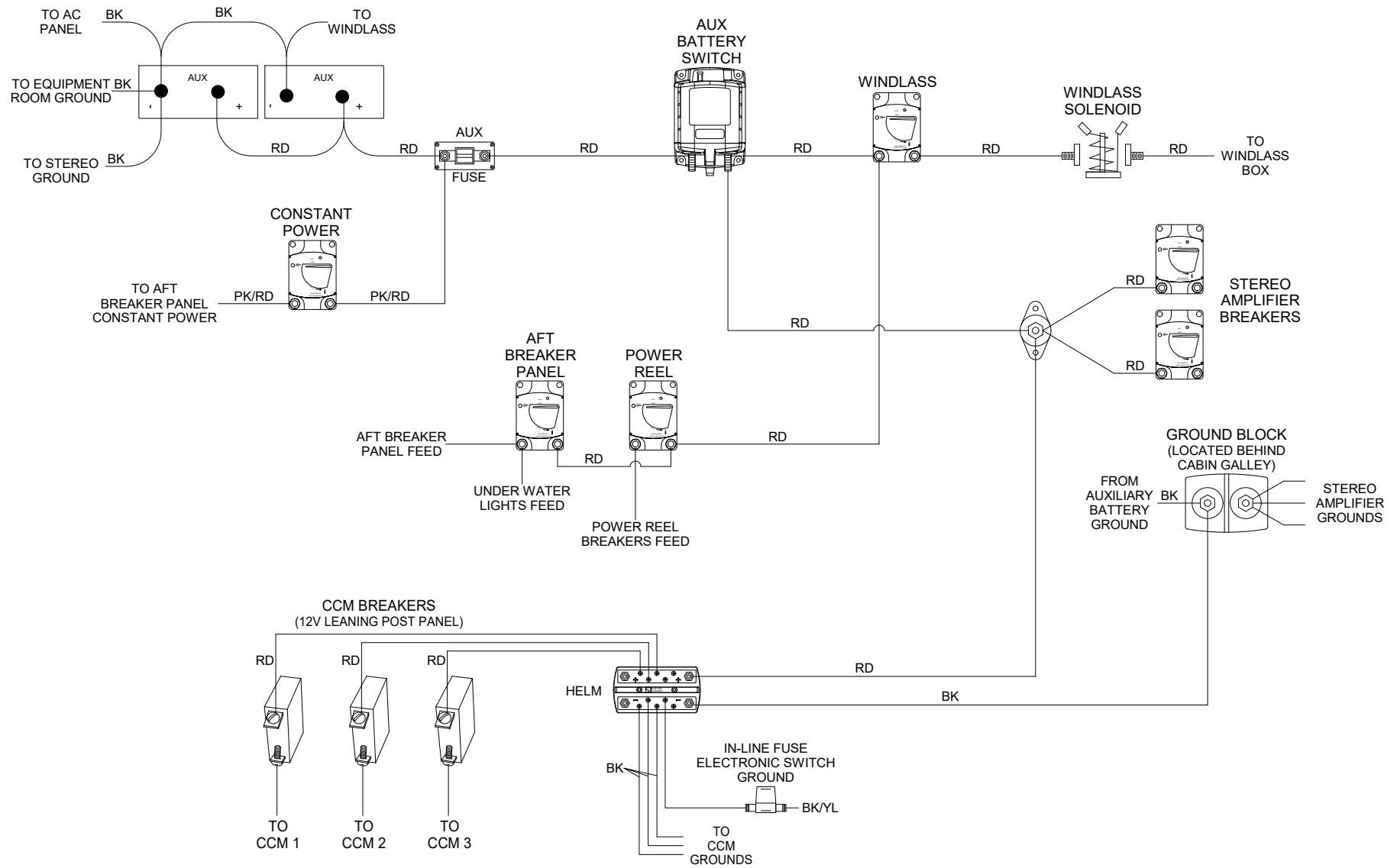
FUME  
DETECTOR  
(12V LEANING POST PANEL)

POWER LEAD  
(RED)



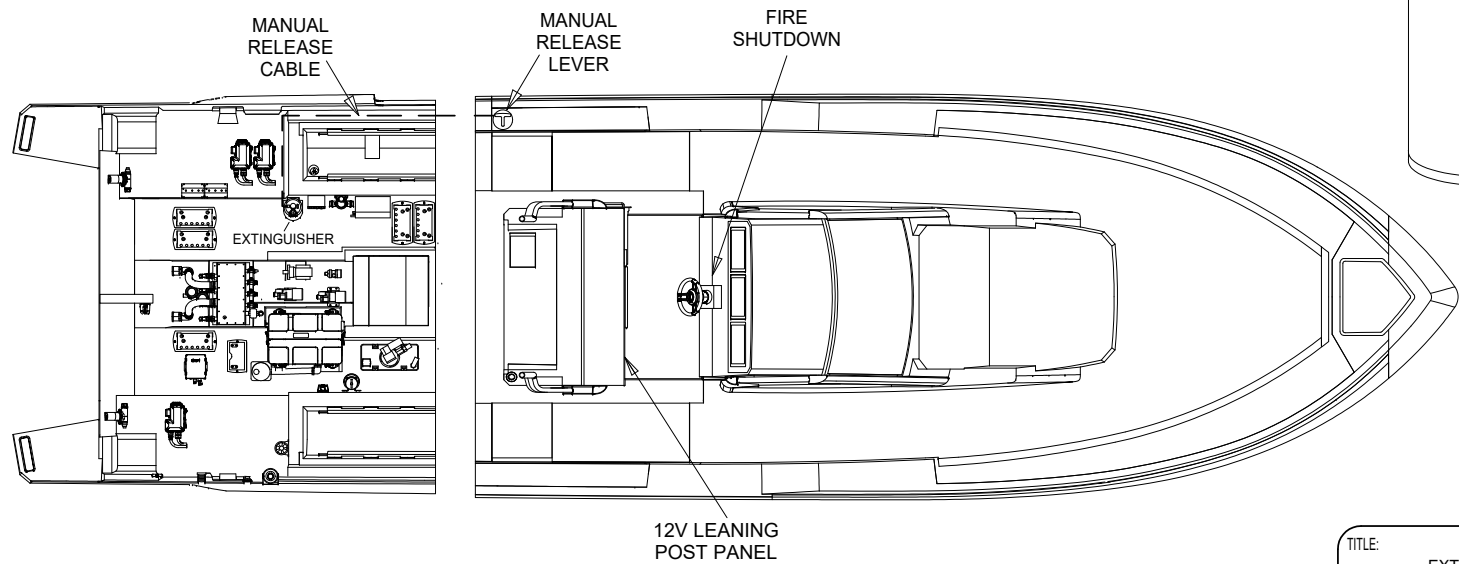
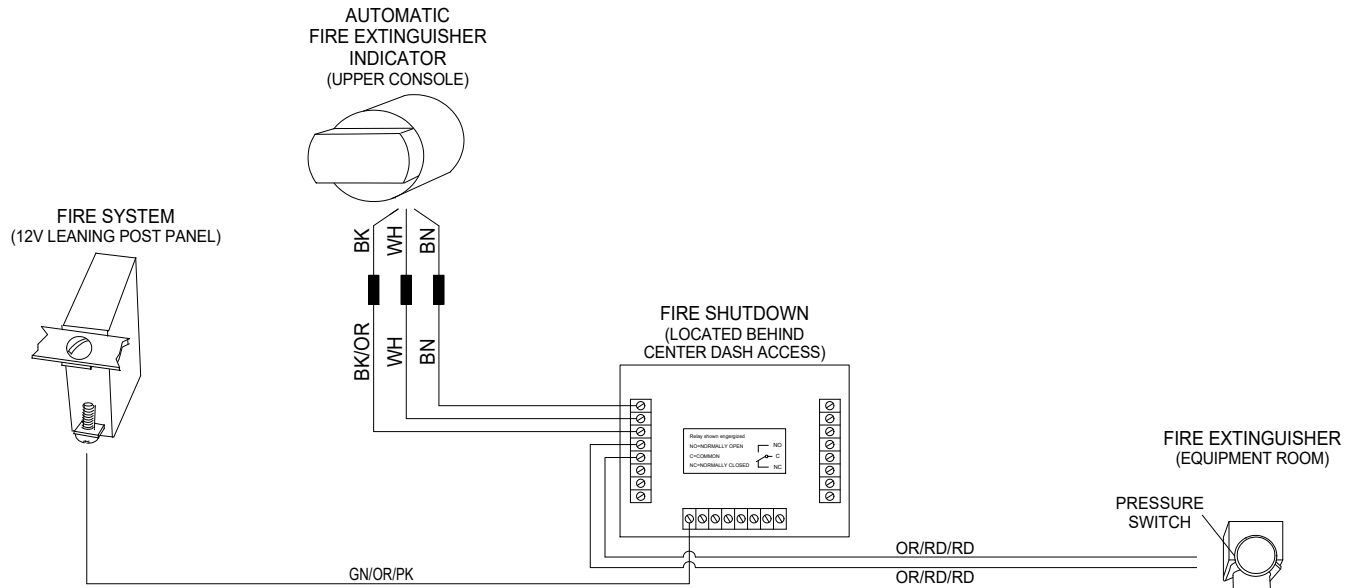
OR/BN/RD

TITLE: FUME DETECTOR		THUNDERBIRD PRODUCTS	
		P.O. BOX 1003	
MOD.: 387CC	DR BY: CJS	DECATUR IN., 46733	
NO.: 30B	DATE: 7/25/23	(260) 724-9111	



TITLE: DC DISTRIBUTION		THUNDERBIRD PRODUCTS
		P.O. BOX 1003
MOD.: 387CC	DR BY: CJS	DECATUR IN., 46733
NO.: 31	DATE: 7/25/23	(260) 724-9111



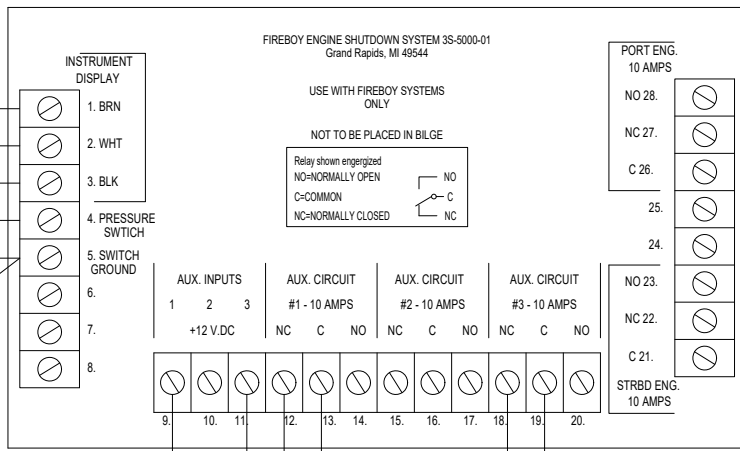


TITLE: FIRE EXTINGUISHER		THUNDERBIRD PRODUCTS
		P.O. BOX 1003
MOD.: 387CC	DR BY: CJS	DECATUR IN., 46733
NO: 32	DATE: 7/25/23	(260) 724-9111

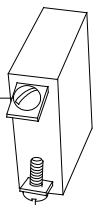
**AUTOMATIC  
FIRE EXTINGUISHER  
INDICATOR  
(UPPER CONSOLE)**



**FIRE SHUTDOWN  
(LOCATED BEHIND  
CENTER DASH ACCESS)**



**FIRE SYSTEM  
(12V LEANING POST PANEL)**



POWER LEAD  
(RED)

PRESSURE SWITCH  
(ENGINE BILGE)

BLK  
WHT  
BRN

BN  
WH  
BK/OR

OR/RD/RD  
OR/RD/RD  
BK

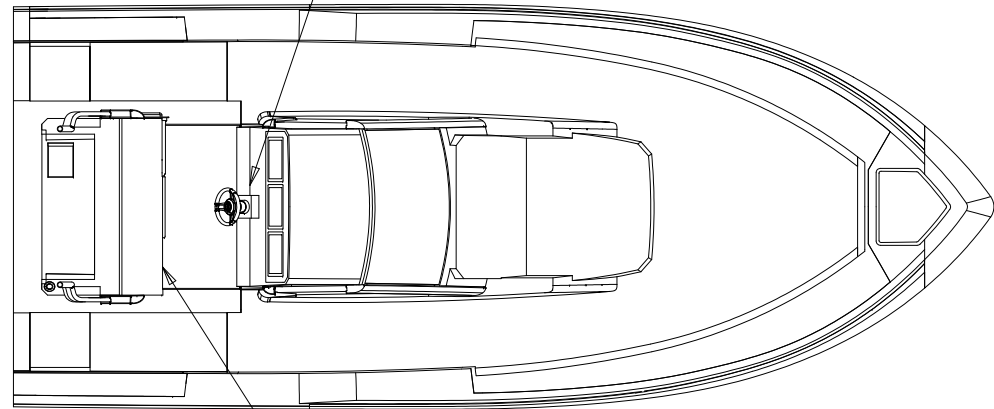
GN/OR/PK

FROM GENERATOR  
BATTERY SWITCH — GN/PR

GN/OR — TO GENERATOR PANEL  
GN/WH — TO GENERATOR PANEL

YL/BN — TO BLOWER SWITCH  
YL/BN/RD — FROM BLOWER BREAKER

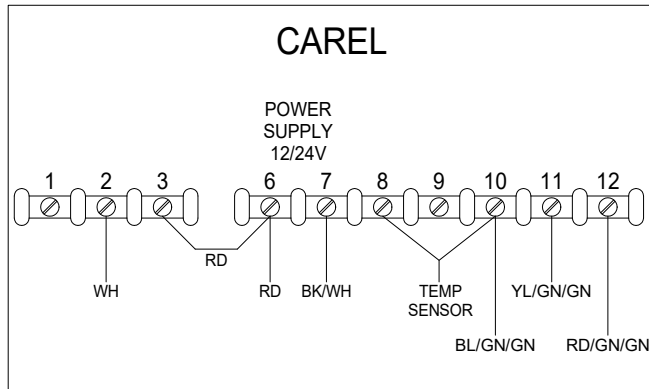
**FIRE  
SHUTDOWN**



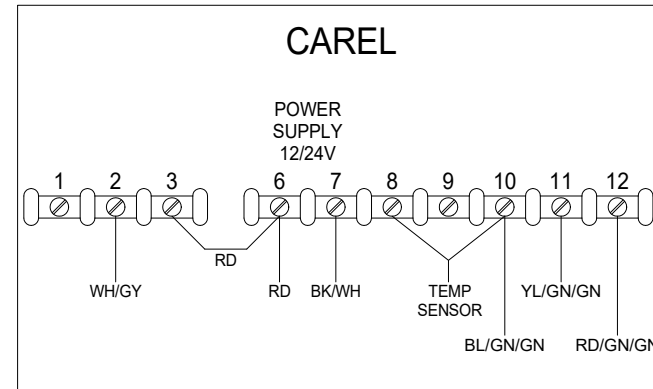
12V LEANING  
POST PANEL

TITLE:	FIRE SHUTDOWN	THUNDERBIRD PRODUCTS
MOD.:	387CC	P.O. BOX 1003
DR BY:	CJS	DECATUR IN., 46733
NO.:	33	DATE: 7/25/23
		(260) 724-9111

(PORT)

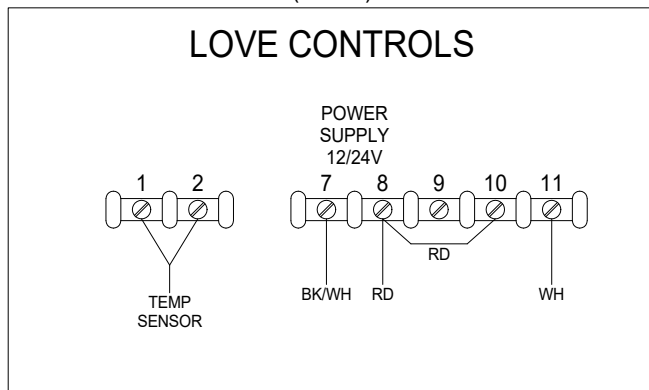


(STARBOARD)

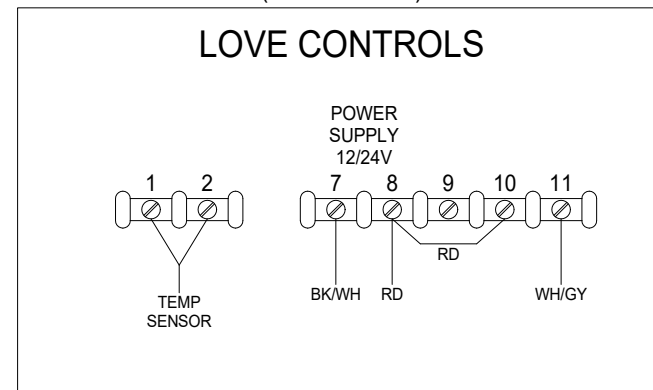


TITLE: FISHBOX CONTROLLER (CAREL)		THUNDERBIRD PRODUCTS
MOD.: 387CC		P.O. BOX 1003
DR BY: CJS		DECATUR IN., 46733
NO.: 34A	DATE: 7/25/23	(260) 724-9111

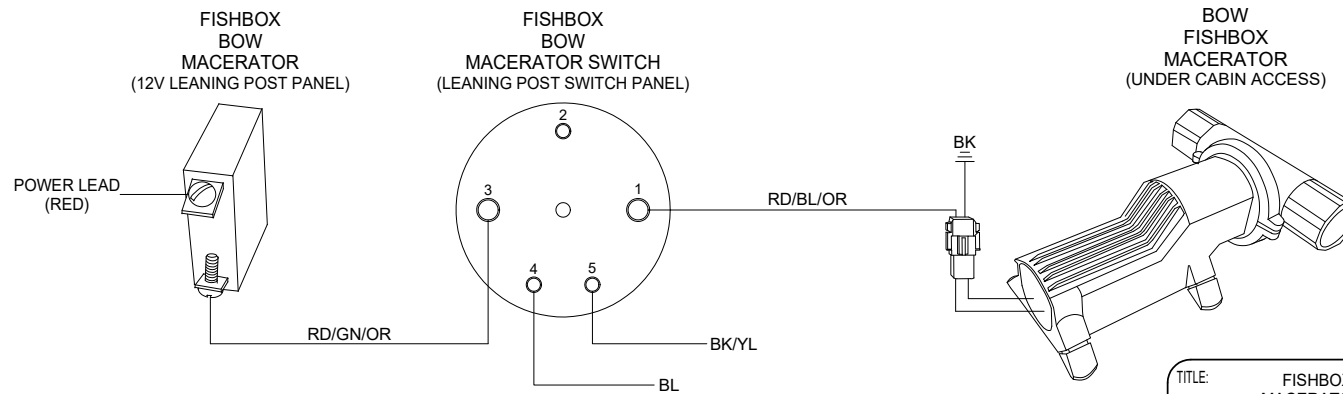
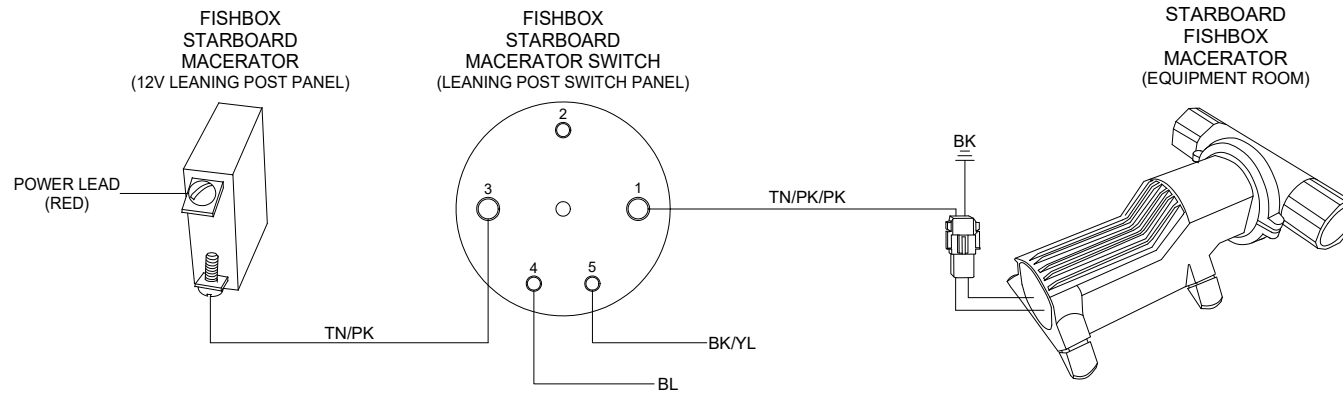
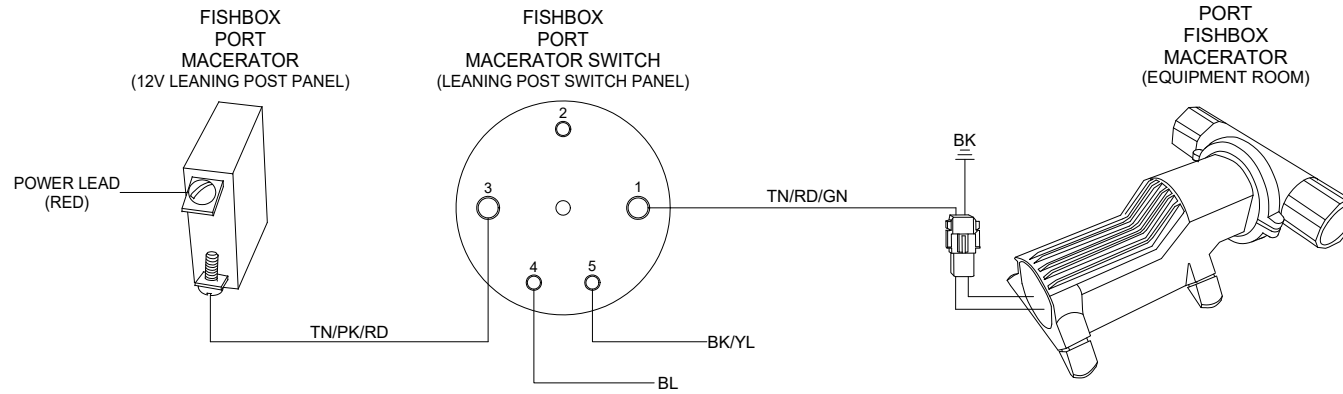
(PORT)



(STARBOARD)

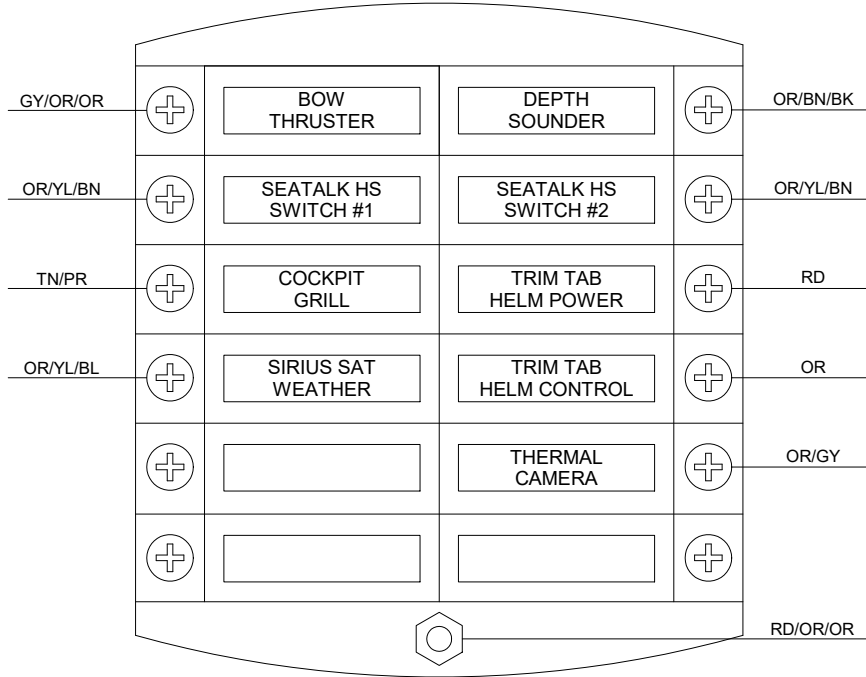


TITLE: FISHBOX CONTROLLER (LOVE)		THUNDERBIRD PRODUCTS
MOD.: 387CC		P.O. BOX 1003
DR BY: CJS		DECATUR IN., 46733
NO.: 34B	DATE: 7/25/23	(260) 724-9111

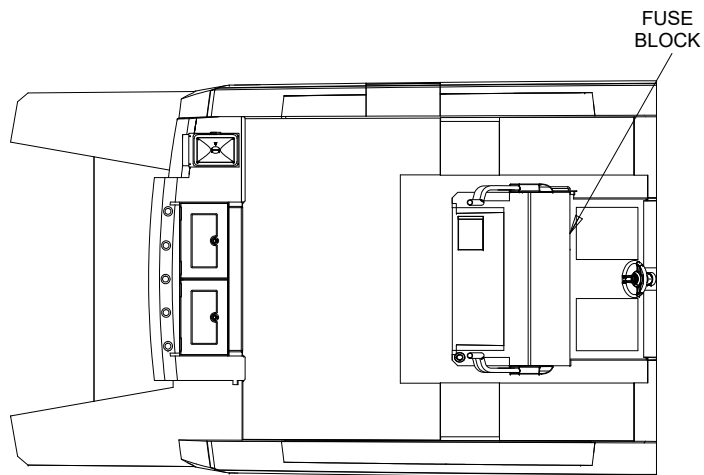
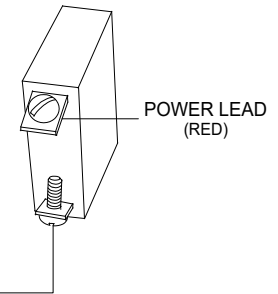


TITLE: FISHBOX MACERATORS		THUNDERBIRD PRODUCTS
		P.O. BOX 1003
MOD.: 387CC	DR BY: CJS	DECATUR IN., 46733
NO.: 35	DATE: 7/25/23	(260) 724-9111

FUSE BLOCK  
(PORT SIDE  
LEANING POST)



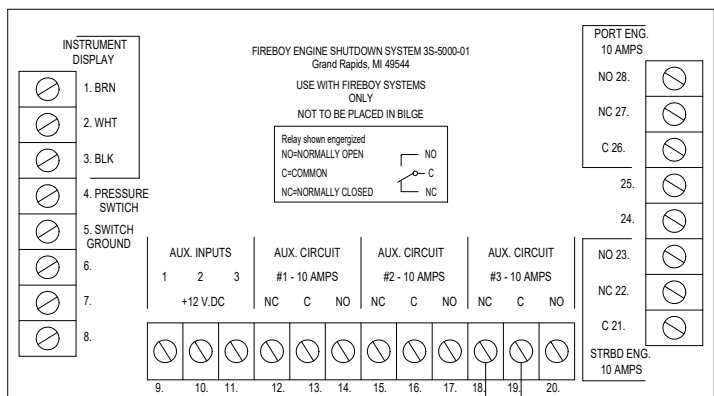
ELEC. FUSE BLOCK  
(12V LEANING POST PANEL)



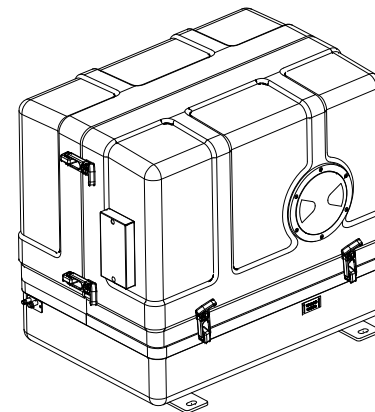
**NOTE:**  
CIRCUIT PROTECTION SUBJECT  
TO CHANGE WITHOUT NOTICE

TITLE:	FUSE BLOCK	THUNDERBIRD PRODUCTS
MOD.:	387CC	P.O. BOX 1003
NO.:	36	DECATUR IN., 46733
	DR BY: CJS	(260) 724-9111
	DATE: 7/25/23	

**FIRE SHUTDOWN**  
(LOCATED BEHIND  
DASH ACCESS)



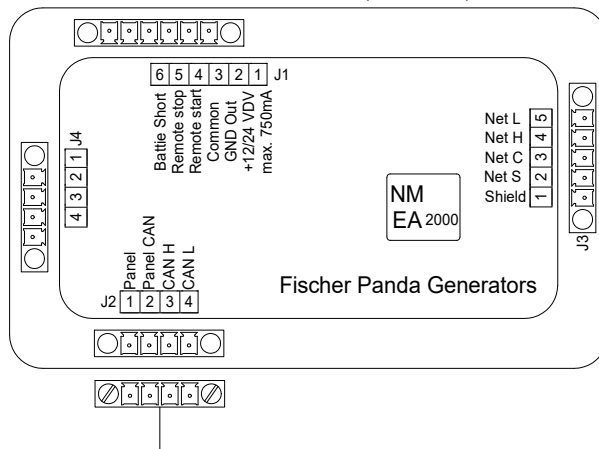
**GENERATOR**



GN/OR  
GN/WH

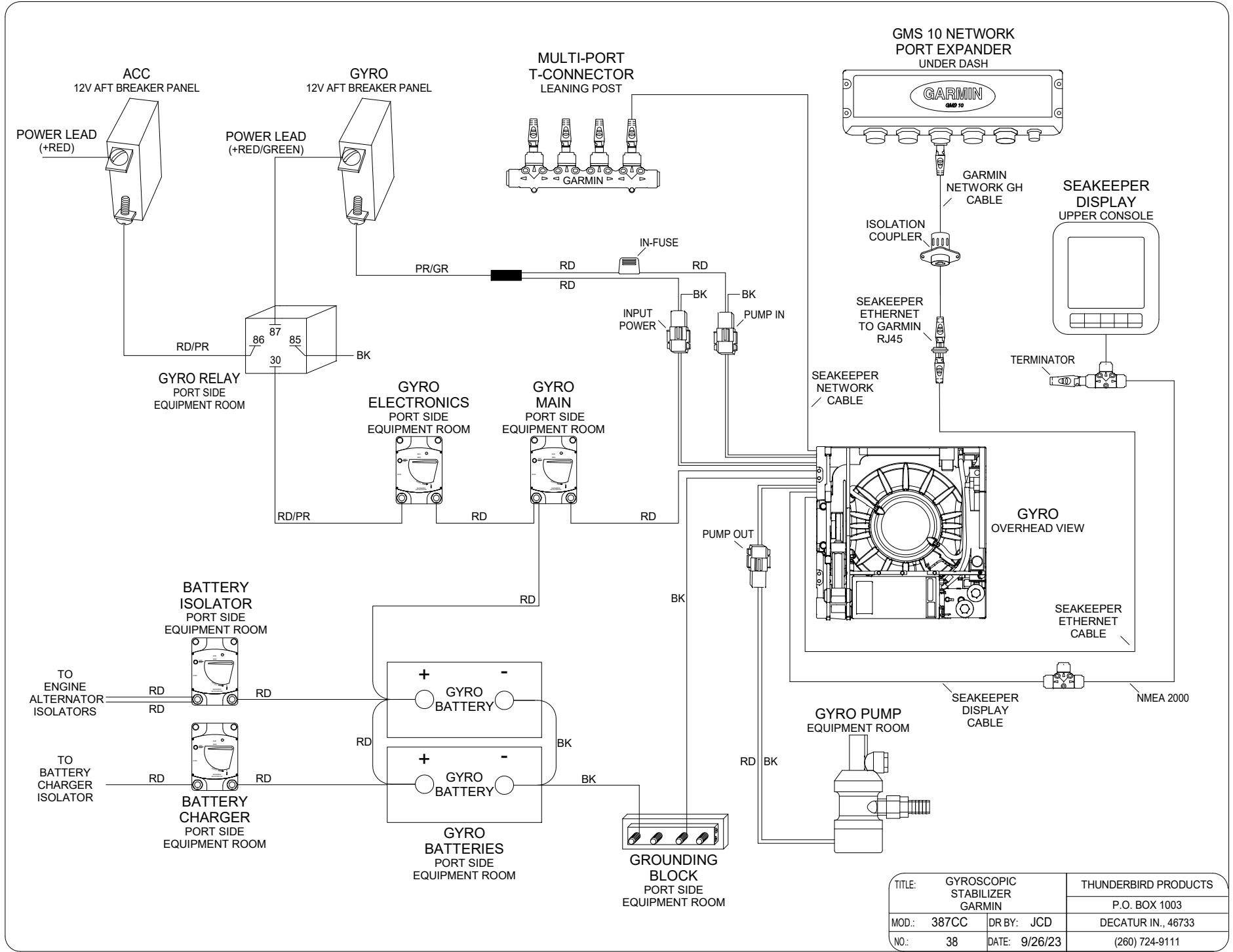
DEDICATED  
CABLE

**CONTROL PANEL**  
(REAR VIEW)

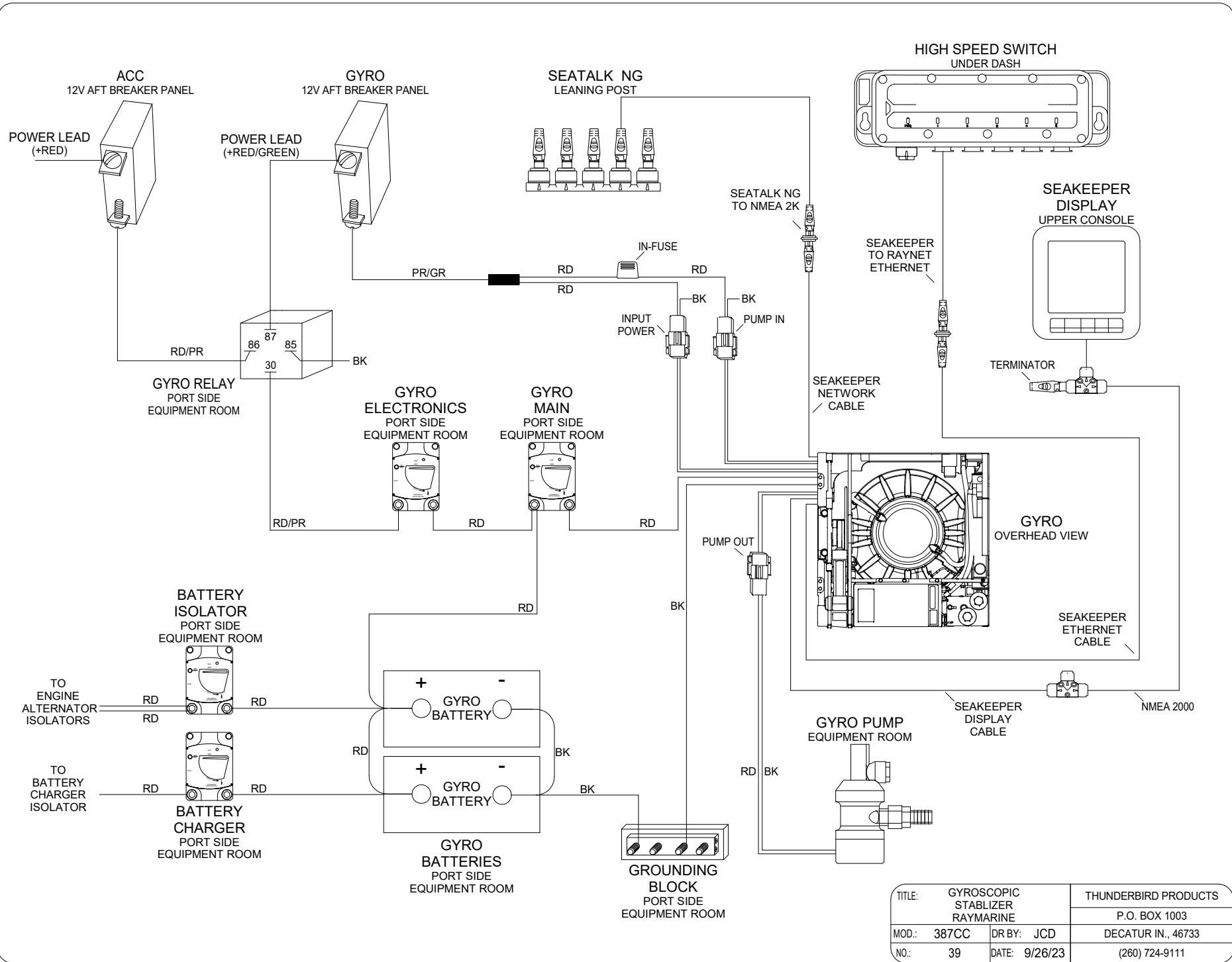


DEDICATED CABLE  
(FROM GENERATOR)

TITLE:	GENERATOR CONTROL PANEL	THUNDERBIRD PRODUCTS P.O. BOX 1003
MOD.:	387CC	DR BY: CJS DECATUR IN., 46733
NO.:	37	DATE: 7/25/23 (260) 724-9111

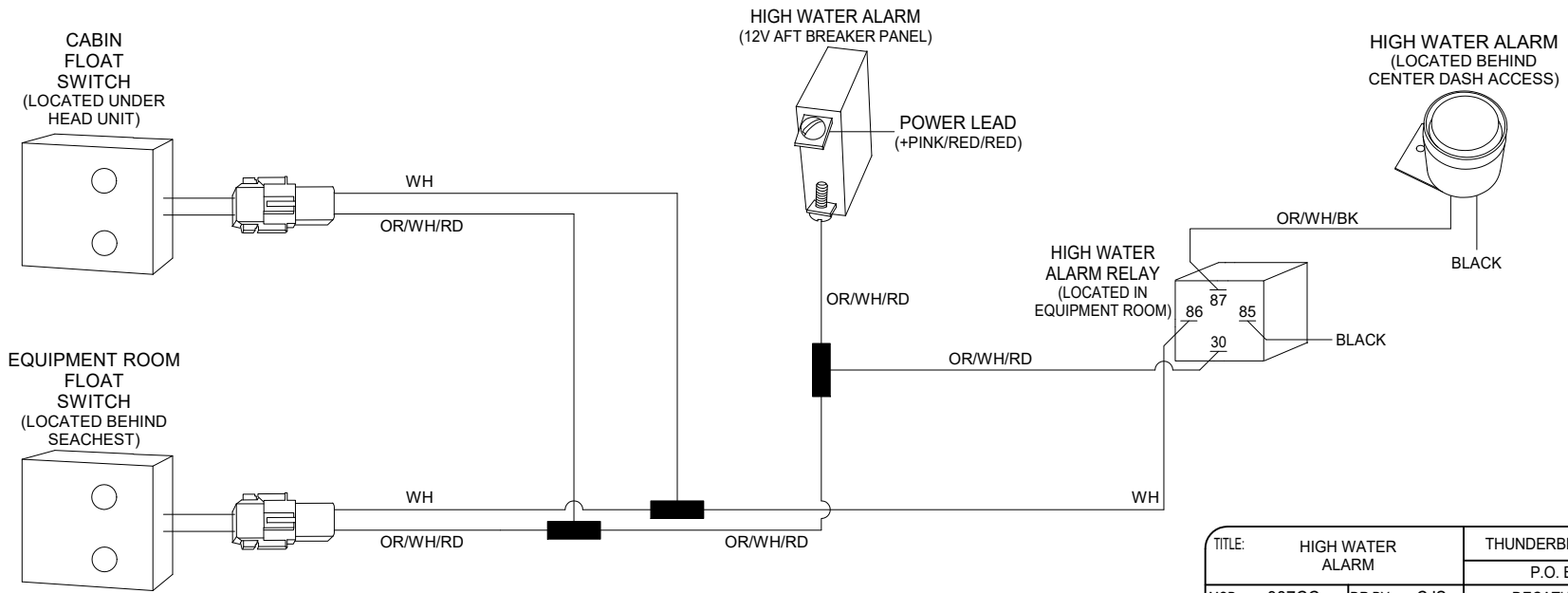


TITLE:	GYROSCOPIC STABILIZER GARMIN	THUNDERBIRD PRODUCTS
MOD.:	387CC	P.O. BOX 1003
DR BY:	JCD	DECATUR IN., 46733
NO.:	38	DATE: 9/26/23
		(260) 724-9111

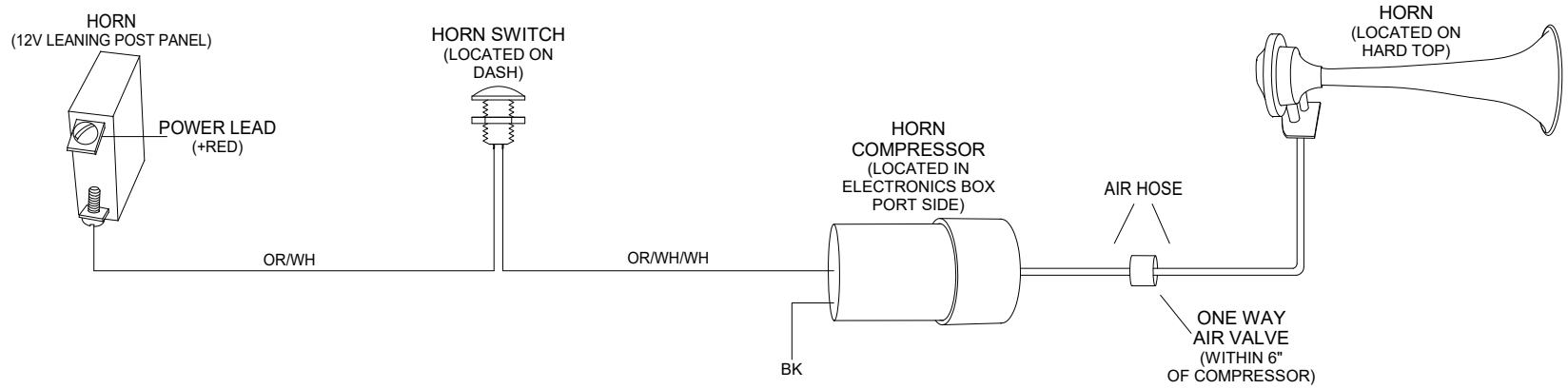


TITLE:	GYROSCOPIC STABILIZER RAYMARINE	THUNDERBIRD PRODUCTS
MOD.:	387CC	P.O. BOX 1003
DR BY:	JCD	DECATUR IN., 46733
NO.:	39	DATE: 9/26/23
		(260) 724-9111



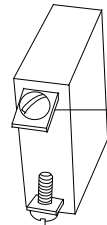


TITLE:	HIGH WATER ALARM	THUNDERBIRD PRODUCTS	
		P.O. BOX 1003	
MOD.:	387CC	DR BY:	CJS
		DECATUR IN., 46733	
NO.:	40A	DATE:	7/25/23
		(260) 724-9111	



TITLE:	HORN	THUNDERBIRD PRODUCTS	
		P.O. BOX 1003	
MOD.:	387CC	DR BY:	CJS
		DECATUR IN., 46733	
NO.:	40B	DATE:	7/25/23
		(260) 724-9111	

ENGINE FLUSH  
(12V AFT BREAKER PANEL)



POWER LEAD  
(+RED)

WATER INLET  
(STARBOARD AFT  
COCKPIT)

1.) STBD  
ENGINE

2.) CENTER  
ENGINE

DEDICATED  
CABLE

CONTROL BUTTON  
(STARBOARD AFT  
COCKPIT)

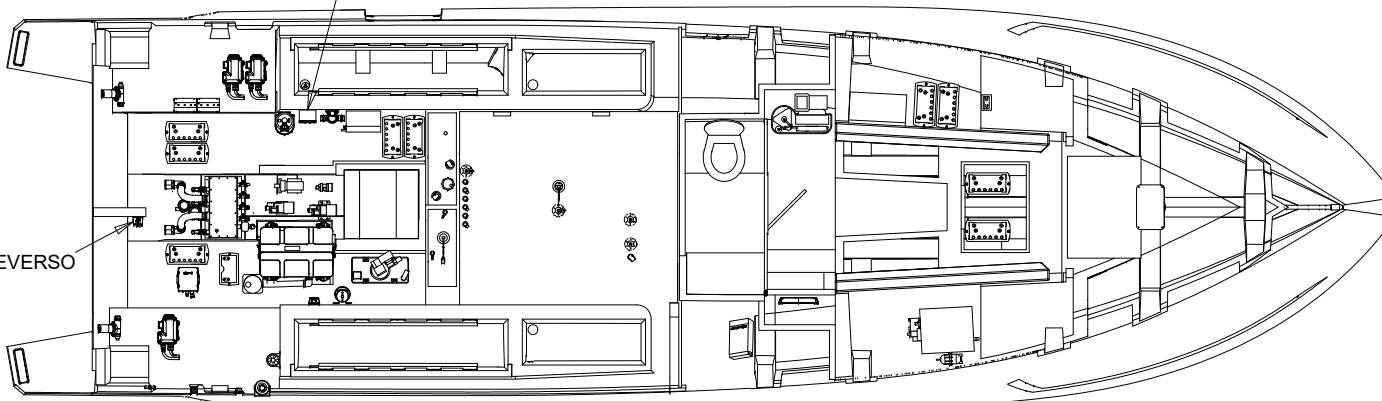


GROUND  
(BK)

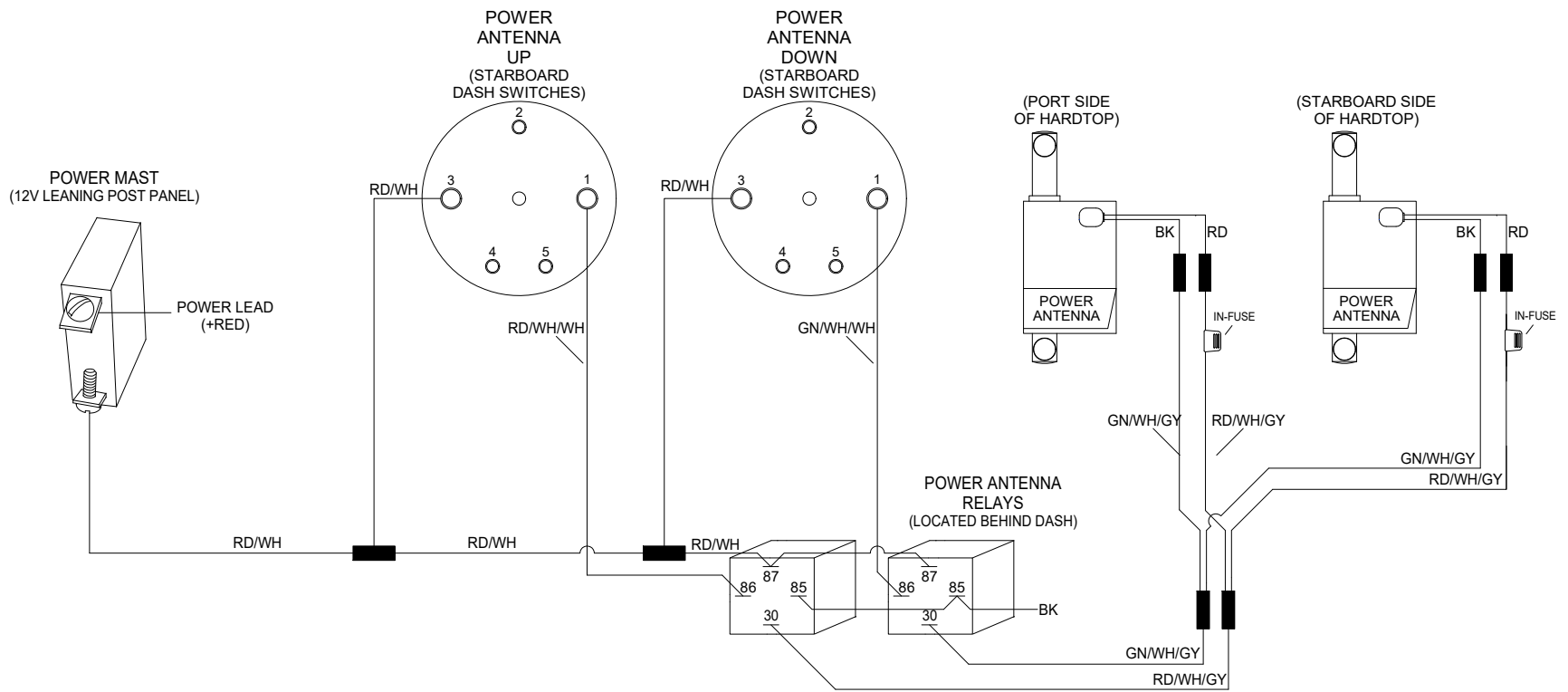
TN/RD/GY

12V AFT  
BREAKER PANEL

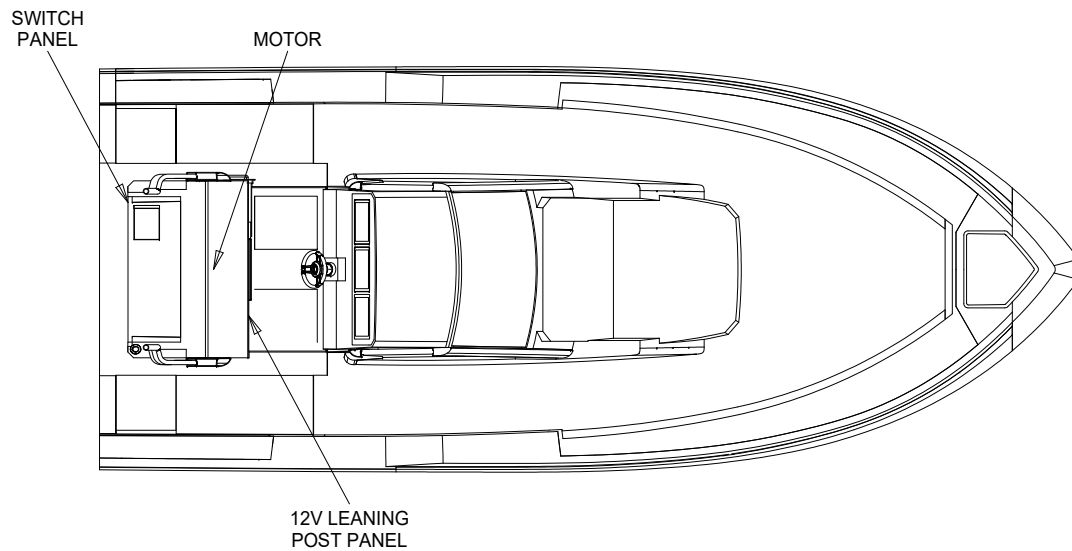
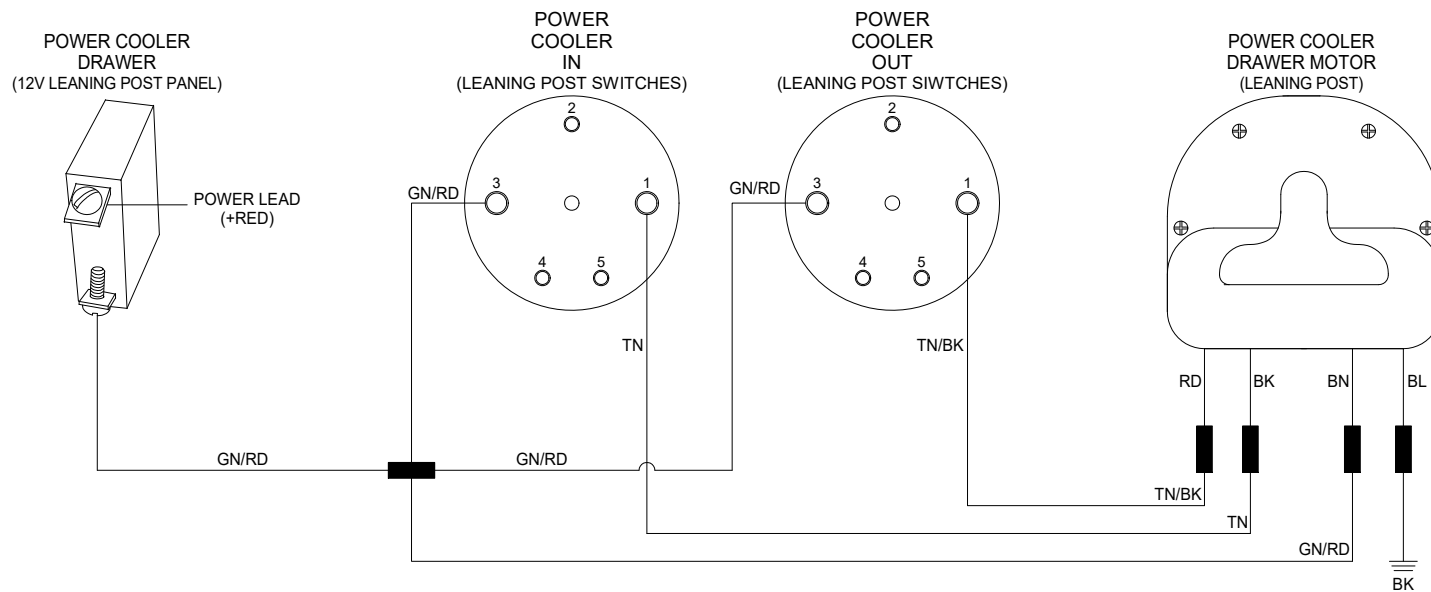
REVERSO



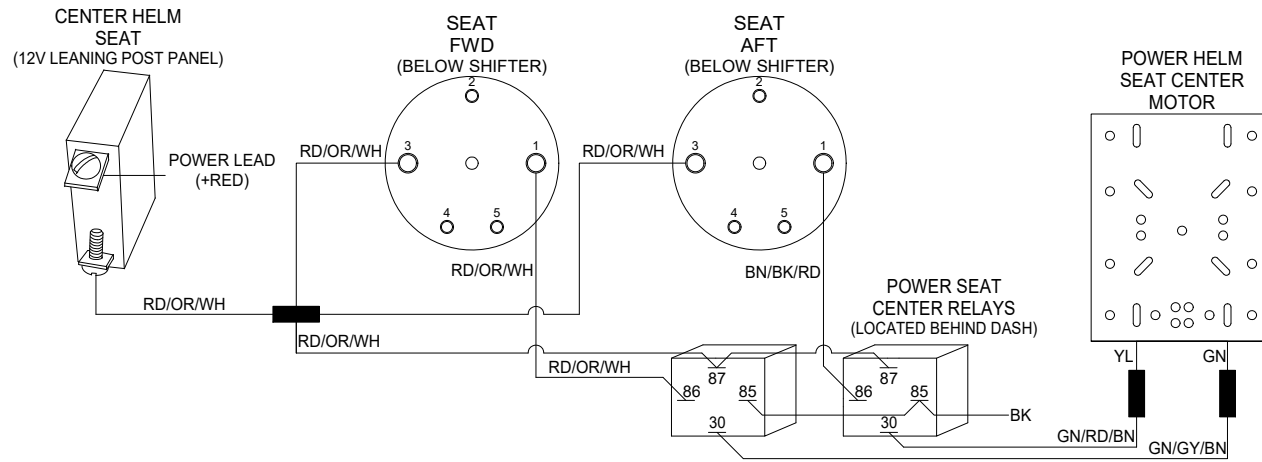
TITLE: OUTBOARD ENGINE FLUSH		THUNDERBIRD PRODUCTS	
		P.O. BOX 1003	
MOD.: 387CC	DR BY: CJS	DECATUR IN., 46733	
NO.: 41	DATE: 7/25/23	(260) 724-9111	



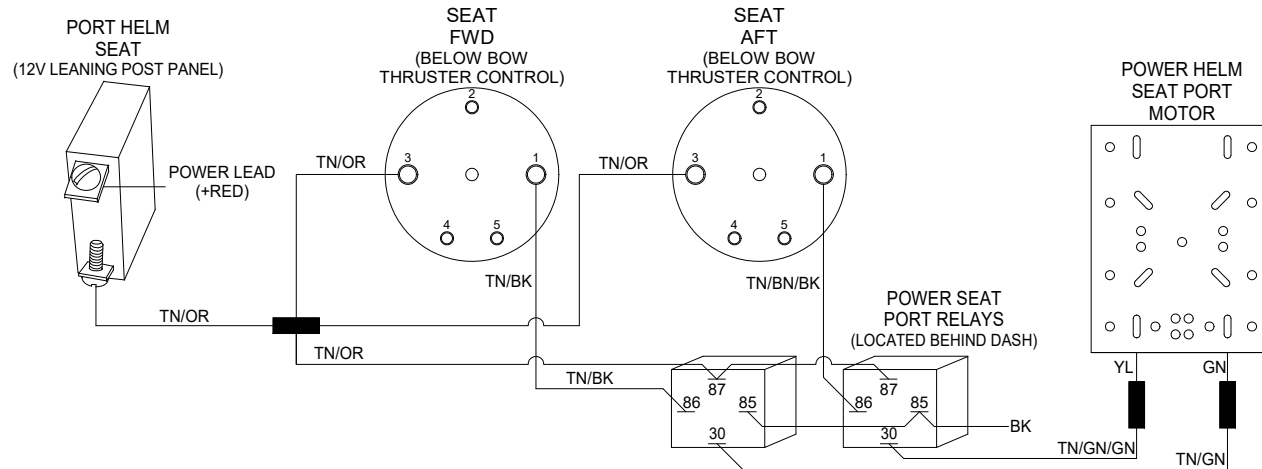
TITLE: POWER ANTENNA		THUNDERBIRD PRODUCTS
		P.O. BOX 1003
MOD.: 387CC	DR BY: JCD	DECATUR IN., 46733
NO.: 42	DATE: 9/20/23	(260) 724-9111



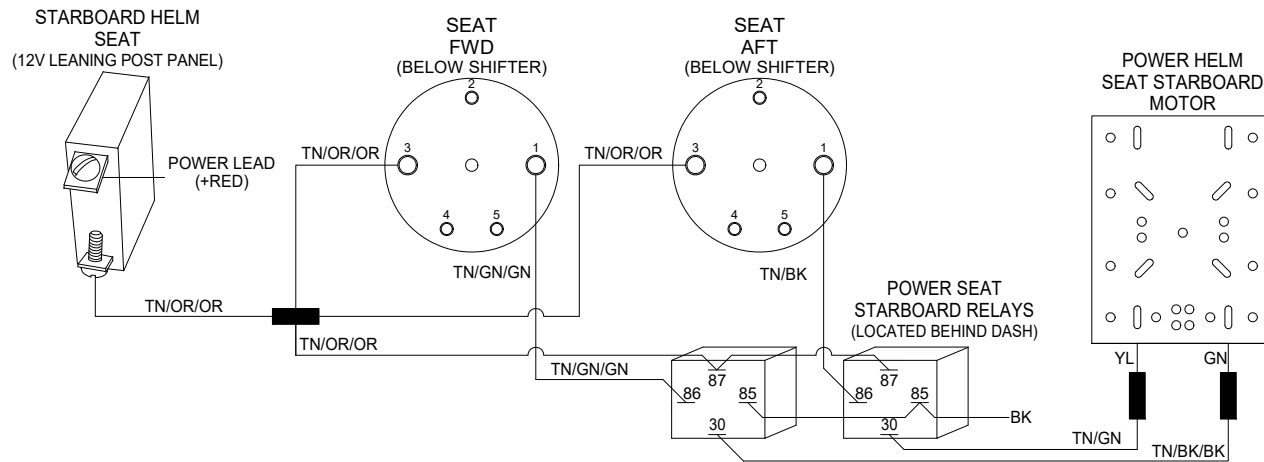
TITLE:	POWER COOLER DRAWER	THUNDERBIRD PRODUCTS
MOD.:	387CC	P.O. BOX 1003
DR BY:	CJS	DECATUR IN., 46733
NO.:	43	DATE: 7/25/23 (260) 724-9111



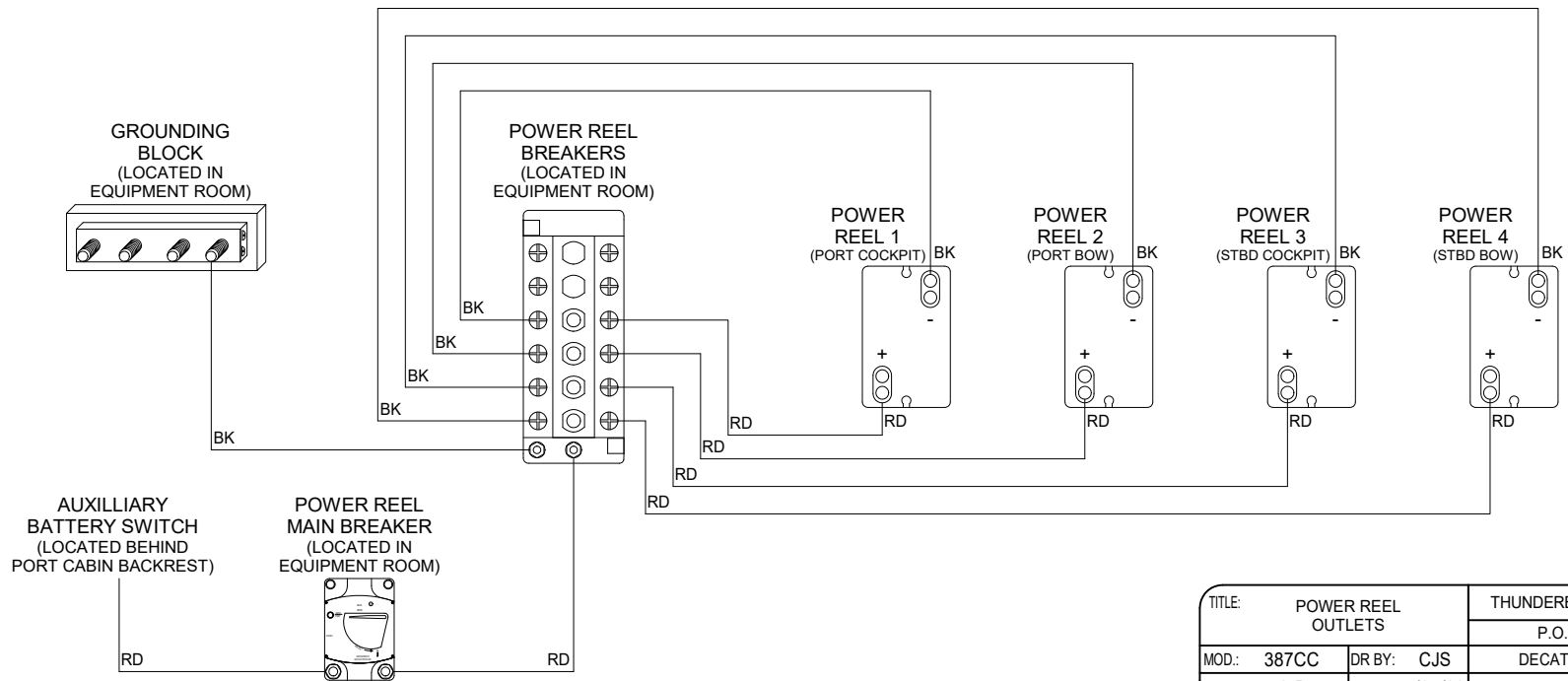
TITLE: POWER HELM SEAT CENTER		THUNDERBIRD PRODUCTS
		P.O. BOX 1003
MOD.: 387CC	DR BY: CJS	DECATUR IN., 46733
NO.: 44A	DATE: 7/25/23	(260) 724-9111



TITLE: POWER HELM SEAT PORT		THUNDERBIRD PRODUCTS
		P.O. BOX 1003
MOD.: 387CC	DR BY: CJS	DECATUR IN., 46733
NO.: 44B	DATE: 7/25/23	(260) 724-9111

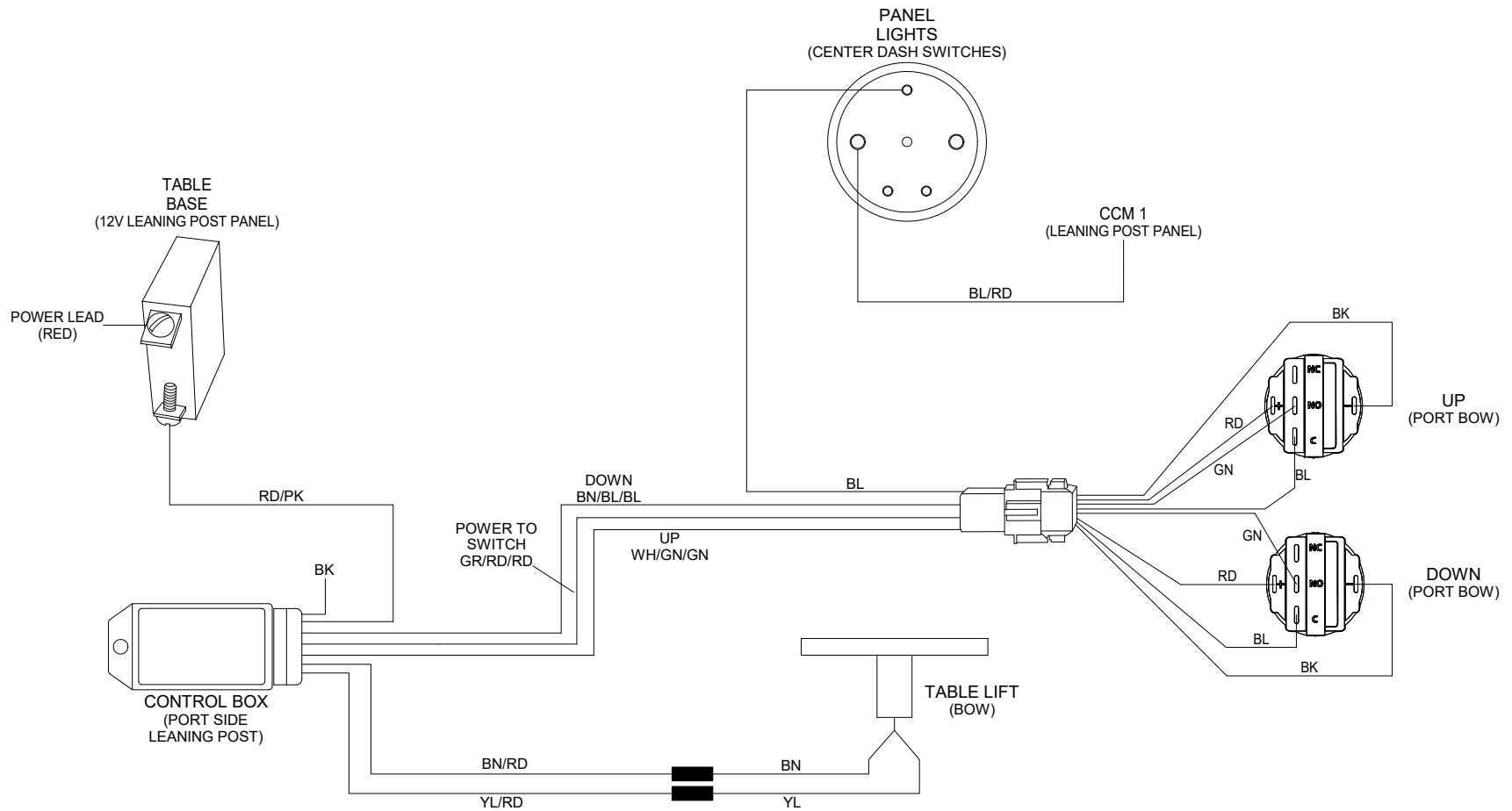


TITLE: POWER HELM SEAT STARBOARD		THUNDERBIRD PRODUCTS
		P.O. BOX 1003
MOD.: 387CC	DR BY: CJS	DECATUR IN., 46733
NO.: 45A	DATE: 7/25/23	(260) 724-9111

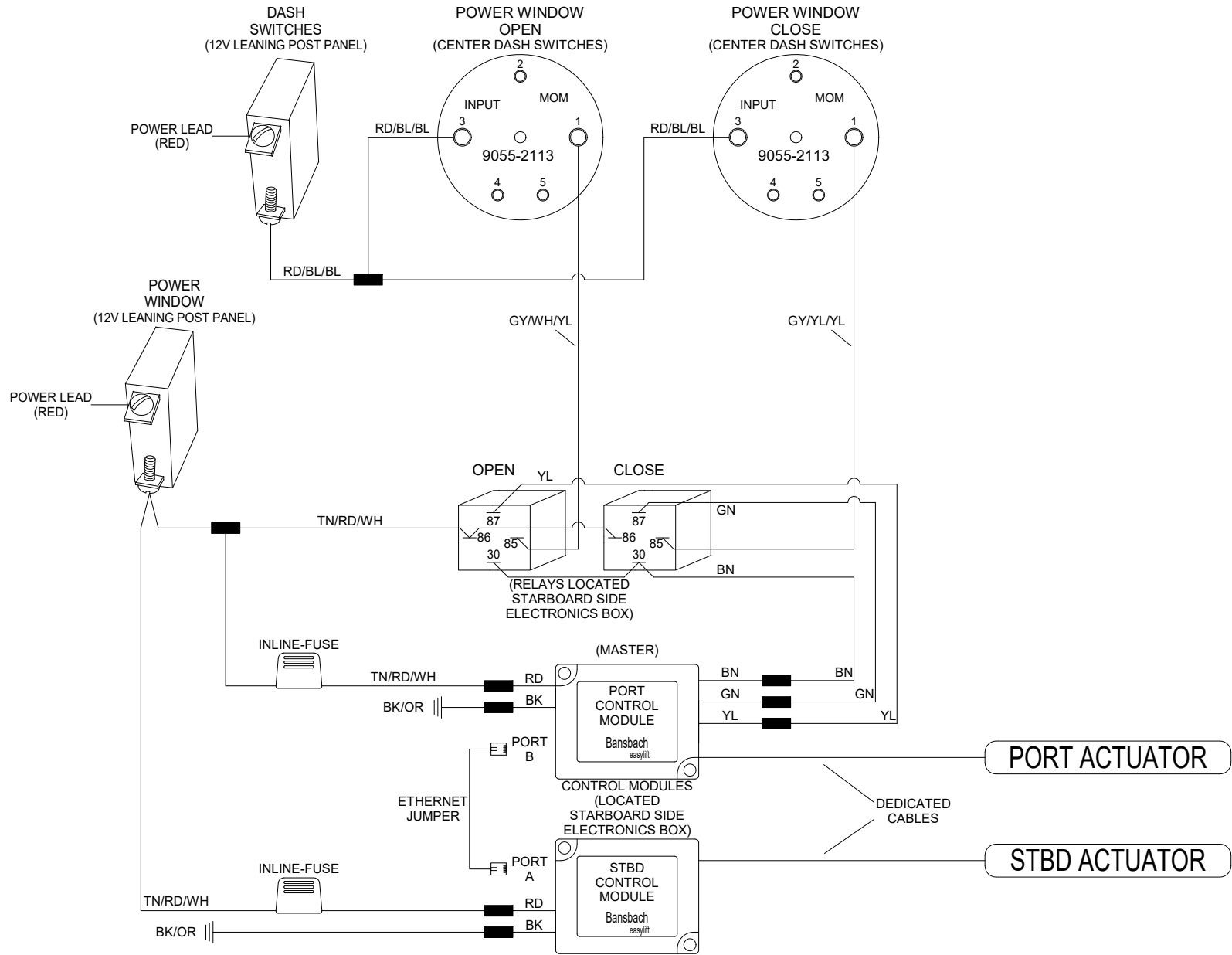


TITLE: POWER REEL OUTLETS		THUNDERBIRD PRODUCTS
		P.O. BOX 1003
MOD.: 387CC	DR BY: CJS	DECATUR IN., 46733
NO.: 45B	DATE: 7/25/23	(260) 724-9111

NOTE: CONTROL BOX REVERSES POLARITY OF TWO WIRES TO TABLE LIFT MOTOR

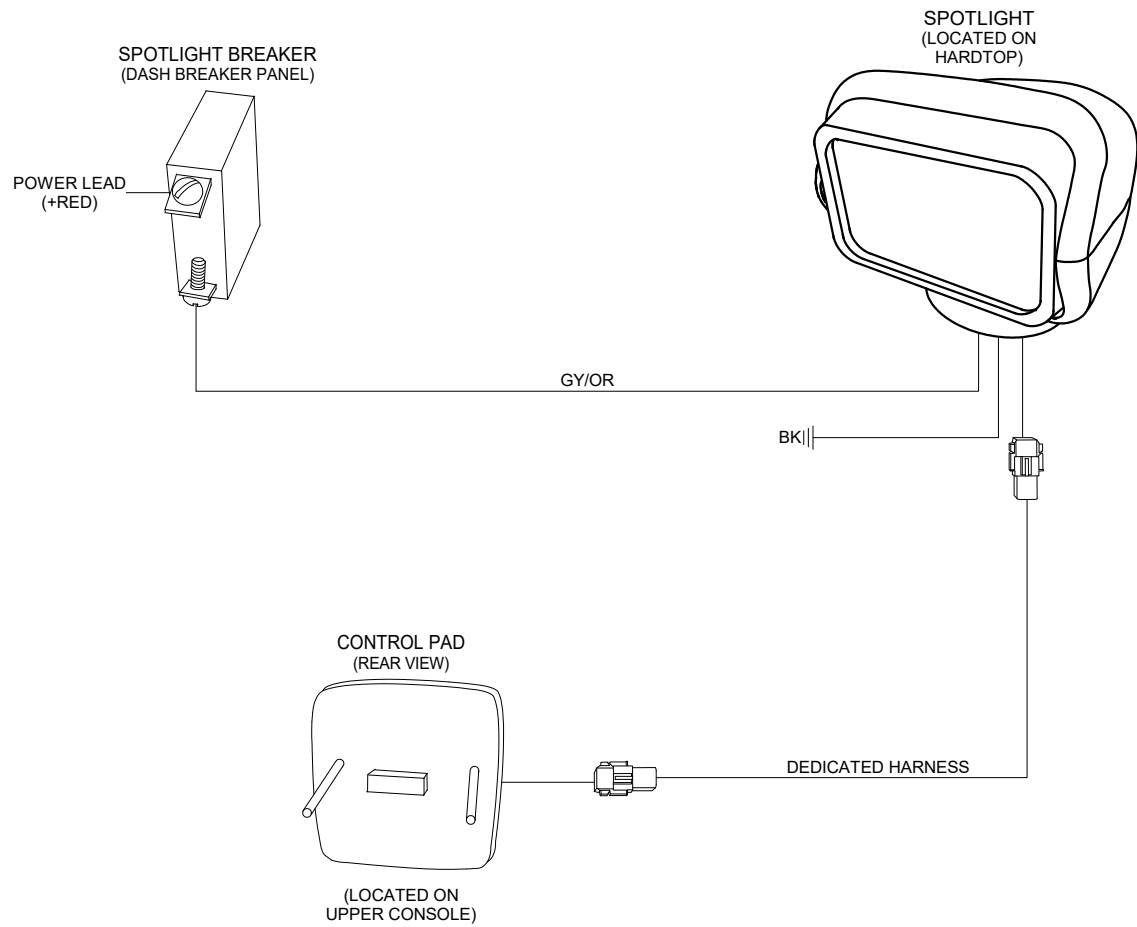


TITLE:	POWER TABLE	THUNDERBIRD PRODUCTS
MOD.:	387CC	P.O. BOX 1003
DR BY:	CJS	DECATUR IN., 46733
NO.:	46	DATE: 7/25/23
		(260) 724-9111

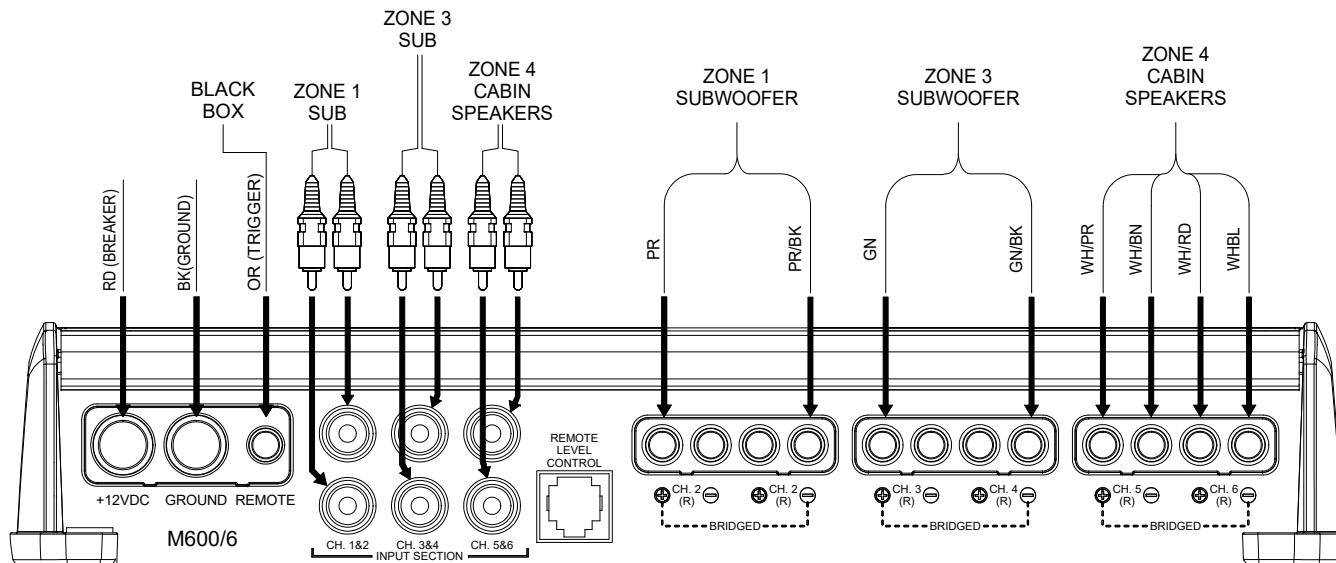
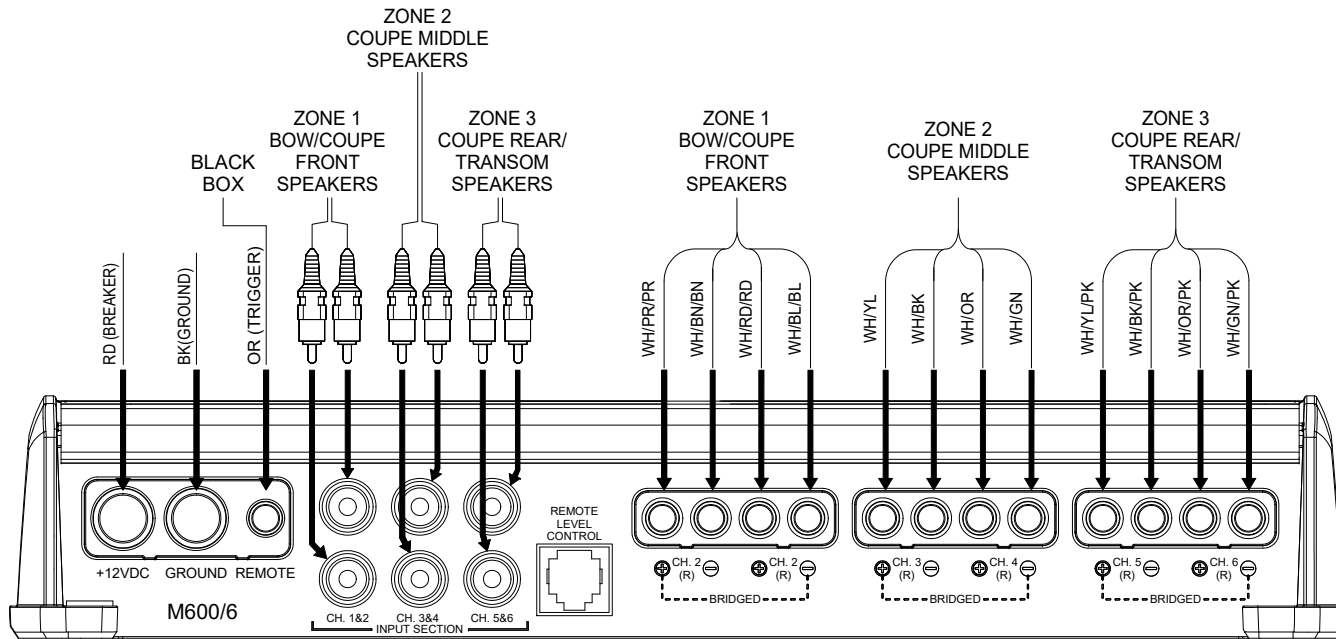


TITLE: POWER WINDOW		THUNDERBIRD PRODUCTS
		P.O. BOX 1003
MOD.: 387CC	DR BY: CJS	DECATUR IN., 46733
NO.: 47	DATE: 7/25/23	(260) 724-9111

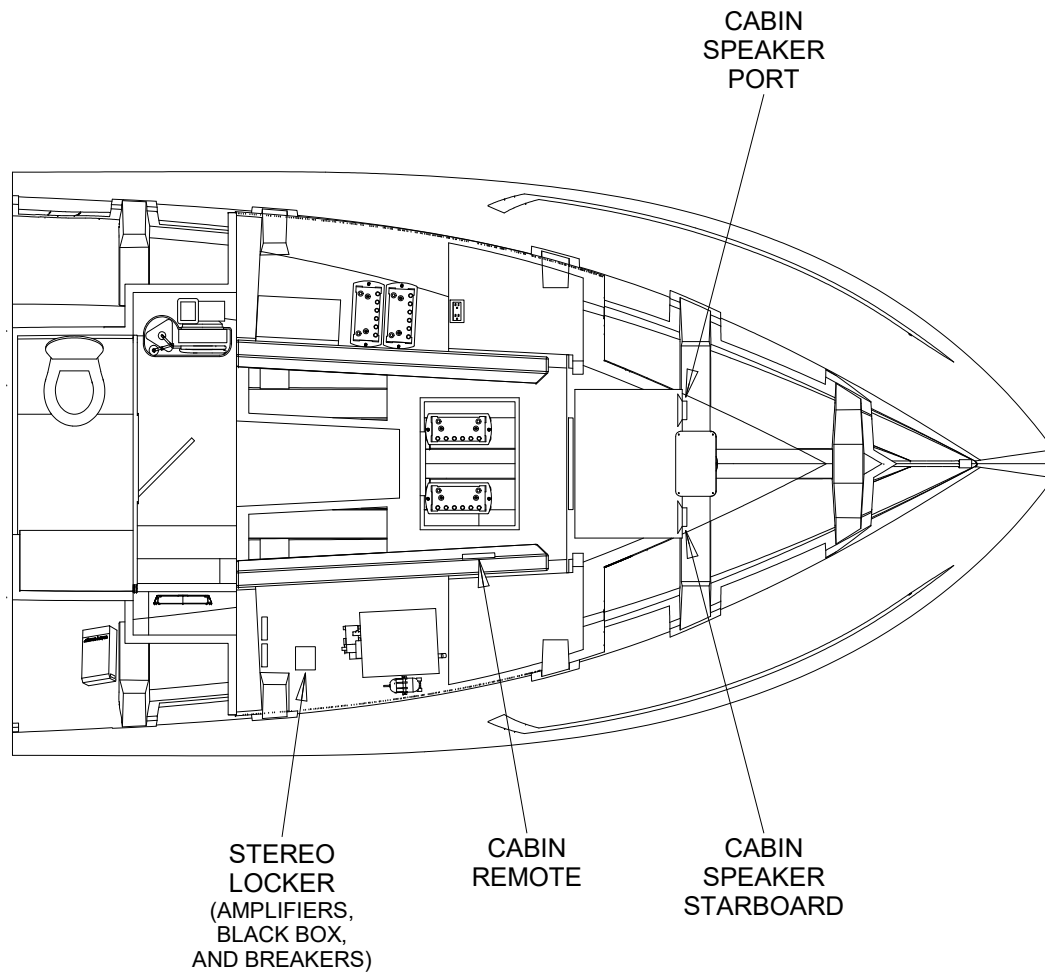




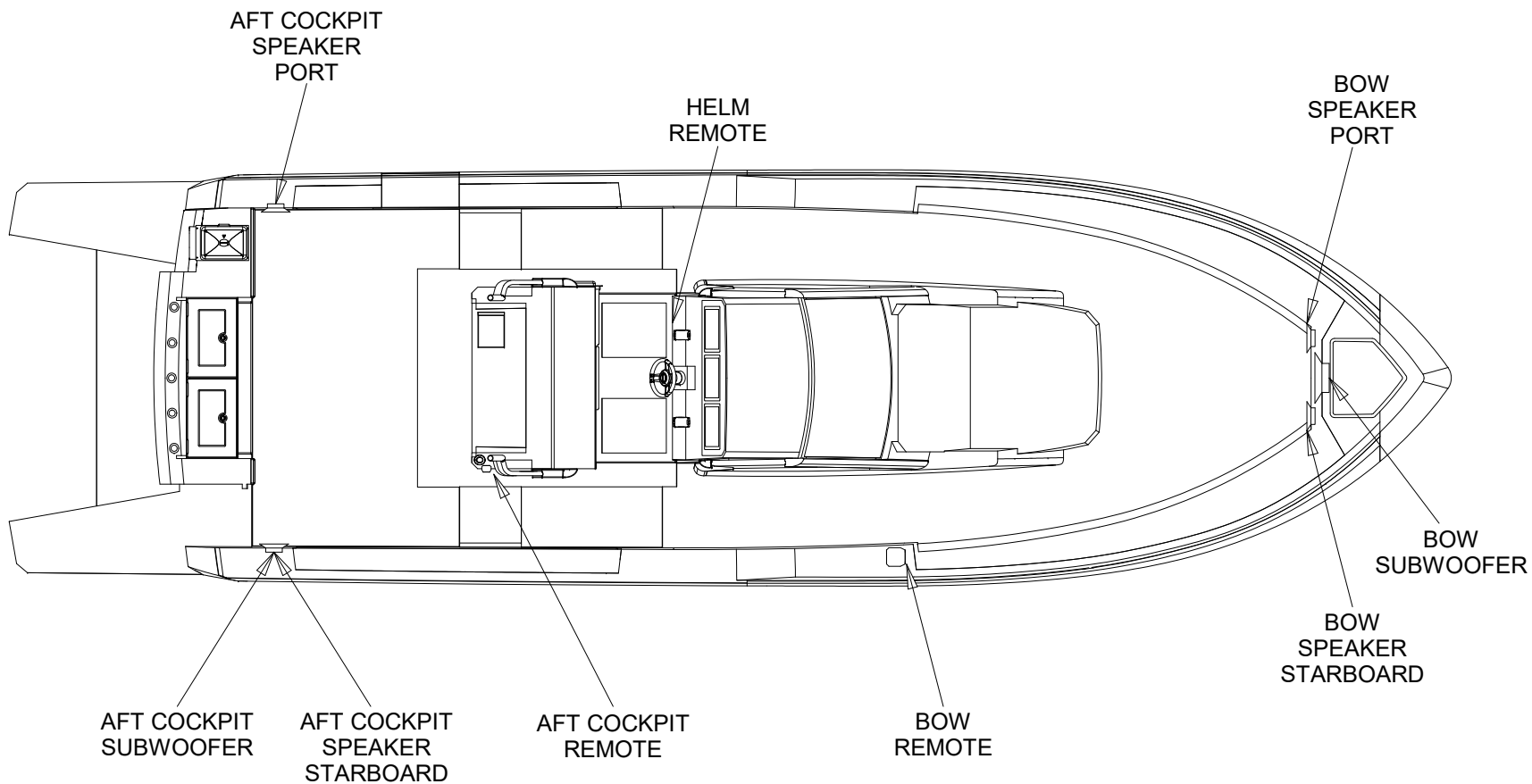
TITLE: SPOTLIGHT		THUNDERBIRD PRODUCTS
		P.O. BOX 1003
MOD.: 387CC	DR BY: CJS	DECATUR IN., 46733
NO.: 48	DATE: 7/25/23	(260) 724-9111



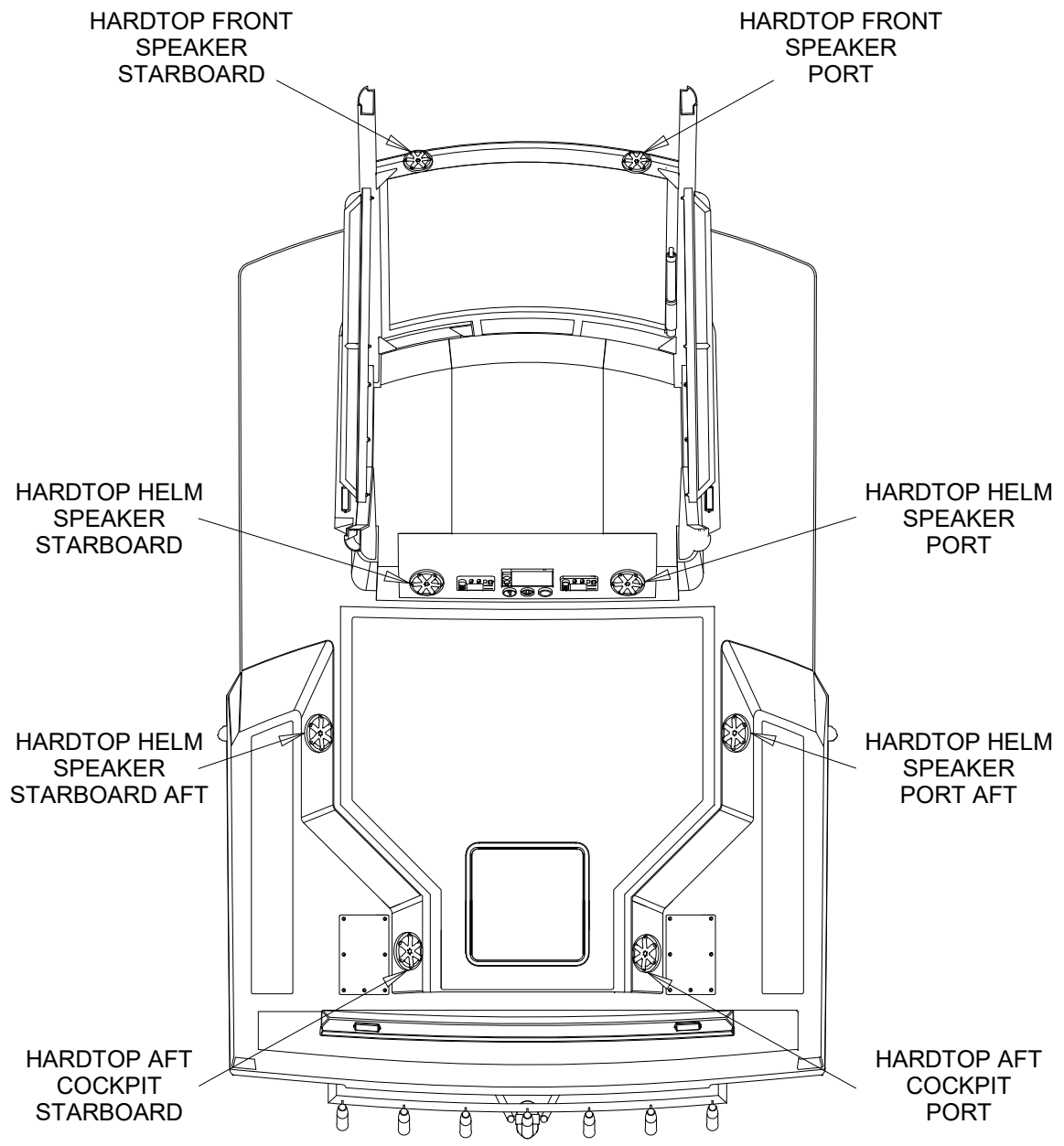
TITLE:	STEREO AMPS	THUNDERBIRD PRODUCTS
MOD.:	387CC DR BY: CJS	P.O. BOX 1003
NO.:	49 DATE: 7/25/23	DECATUR IN., 46733
		(260) 724-9111



TITLE: STEREO LAYOUT CABIN		THUNDERBIRD PRODUCTS
		P.O. BOX 1003
MOD.: 387CC	DR BY: CJS	DECATUR IN., 46733
NO.: 50	DATE: 7/25/23	(260) 724-9111

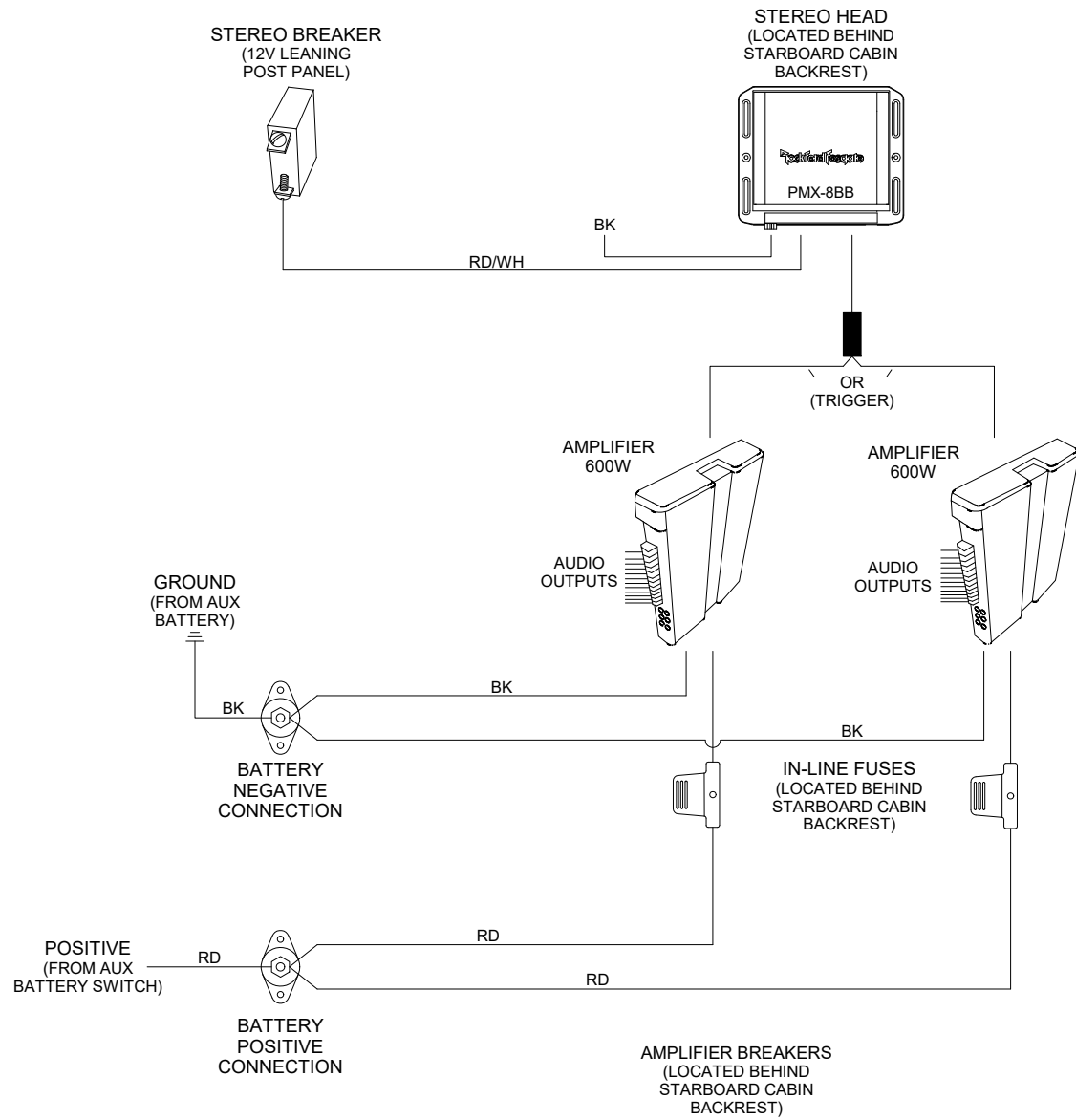


TITLE: STEREO LAYOUT DECK		THUNDERBIRD PRODUCTS
		P.O. BOX 1003
MOD.: 387CC	DR BY: CJS	DECATUR IN., 46733
NO.: 51	DATE: 7/25/23	(260) 724-9111

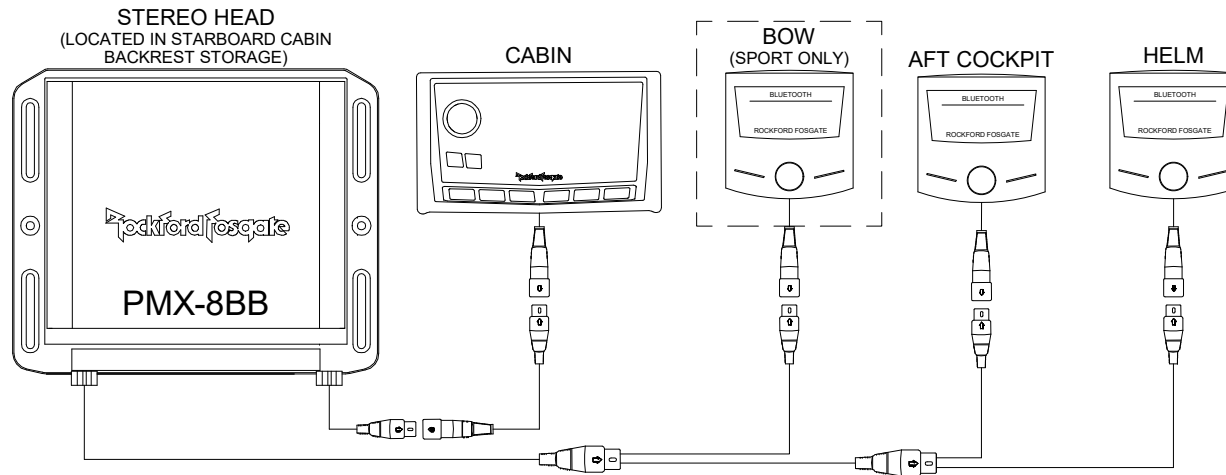


HARDTOP  
UNDERSIDE

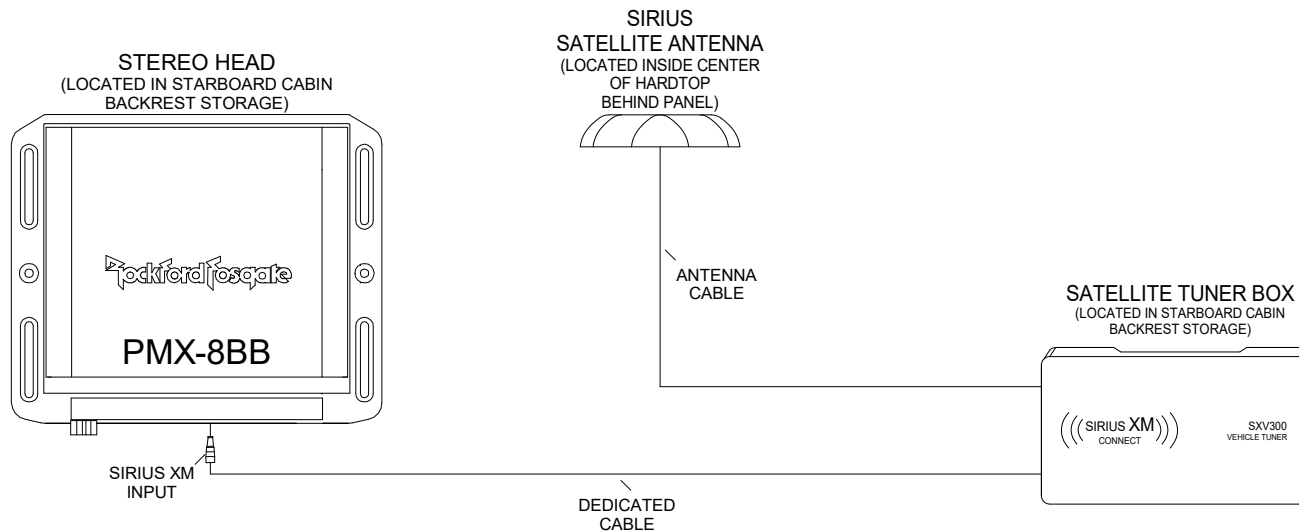
TITLE:	STEREO LAYOUT HARDTOP	THUNDERBIRD PRODUCTS
MOD.:	387CC	P.O. BOX 1003
DR BY:	CJS	DECATUR IN., 46733
NO.:	52	DATE: 7/25/23 (260) 724-9111



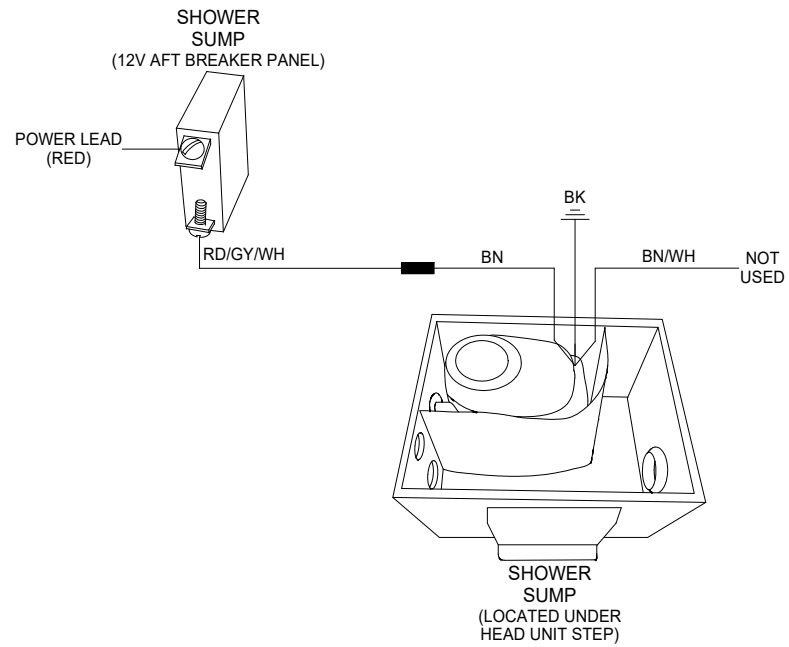
TITLE:	STEREO POWER		THUNDERBIRD PRODUCTS
MOD.:	387CC	DR BY: CJS	P.O. BOX 1003
NO.:	53	DATE: 7/25/23	DECATUR IN., 46733
			(260) 724-9111



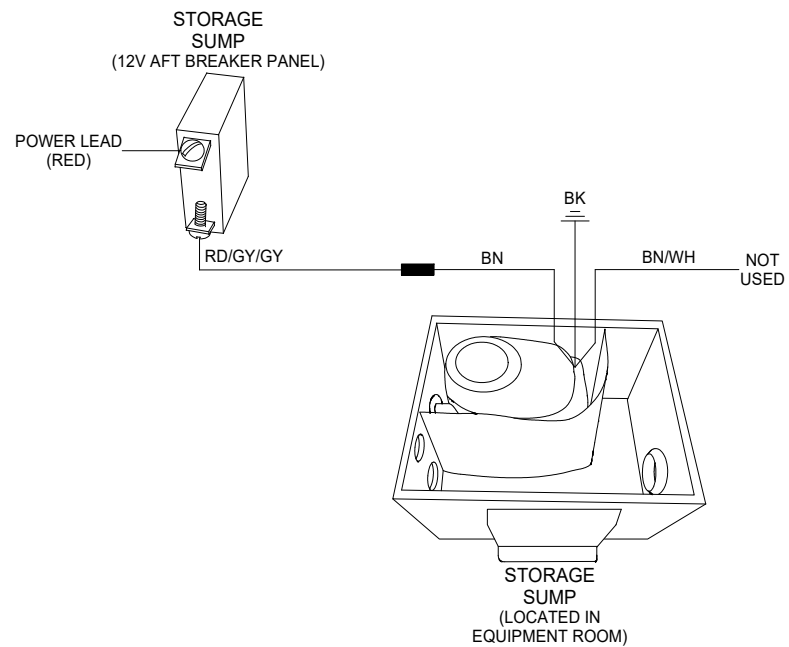
TITLE: STEREO REMOTES		THUNDERBIRD PRODUCTS	
		P.O. BOX 1003	
MOD.: 387CC	DR BY: CJS	DECATUR IN., 46733	
NO.: 54A	DATE: 7/25/23	(260) 724-9111	



TITLE: STEREO SIRIUS RADIO		THUNDERBIRD PRODUCTS	
		P.O. BOX 1003	
MOD.: 387CC	DR BY: CJS	DECATUR IN., 46733	
NO.: 54B	DATE: 7/25/23	(260) 724-9111	



TITLE:	SUMP BOX SHOWER		THUNDERBIRD PRODUCTS
			P.O. BOX 1003
MOD.:	387CC	DR BY:	CJS
			DECATUR IN., 46733
NO.:	55A	DATE:	7/25/23
			(260) 724-9111



TITLE:	SUMP BOX STORAGE		THUNDERBIRD PRODUCTS
			P.O. BOX 1003
MOD.:	387CC	DR BY:	CJS
			DECATUR IN., 46733
NO.:	55B	DATE:	7/25/23
			(260) 724-9111

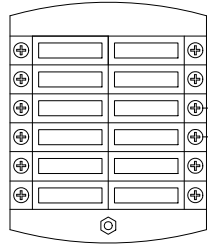


**LEGEND**

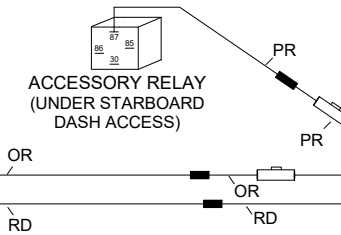
IN-LINE FUSE 

SPLICE 

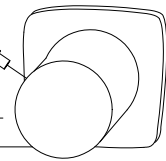
FUSE BLOCK  
(PORT SIDE  
LEANING POST)



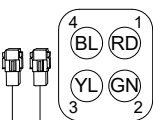
ACCESSORY RELAY  
(UNDER STARBOARD  
DASH ACCESS)



CONTROL PAD  
(HELM)  
(REAR VIEW)



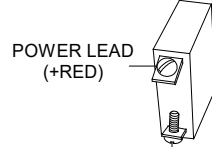
DEDICATED  
CABLES



INDICATOR (MARKED RED)

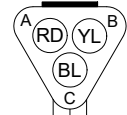
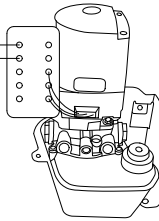
INDICATOR (MARKED GREEN)

TRIM TAB PORT  
(AFT BREAKER PANEL)



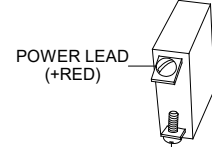
OR/BK  
BK

PORT  
PUMP  
(PORT AFT  
EQUIPMENT ROOM)



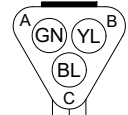
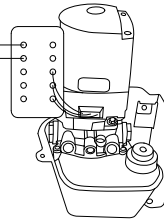
RD  
BL  
YL  
GN

TRIM TAB STARBOARD  
(AFT BREAKER PANEL)



OR  
BK

STARBOARD  
PUMP  
(STARBOARD AFT  
EQUIPMENT ROOM)

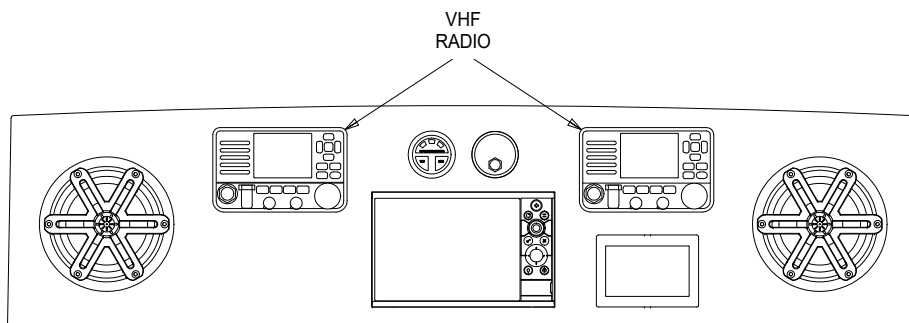
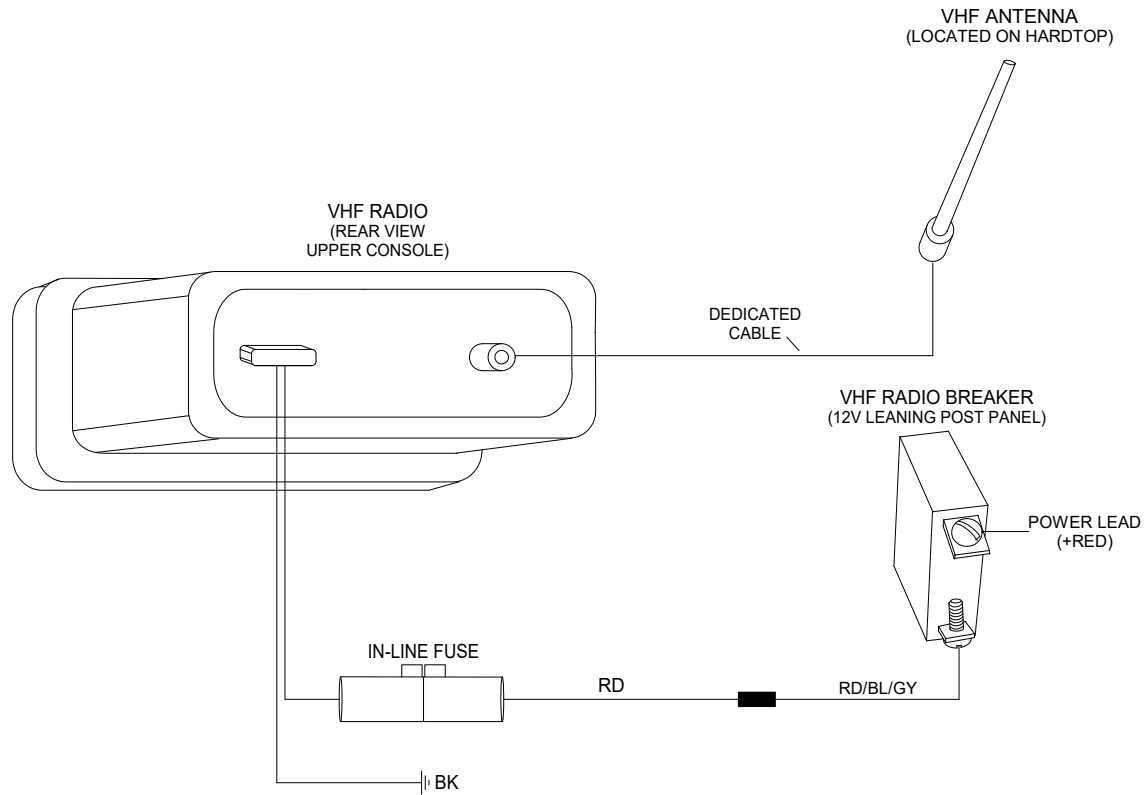


BL  
YL  
GN

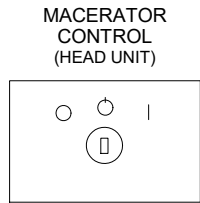
PORT RAM

STARBOARD RAM

TITLE:	TRIM TABS	THUNDERBIRD PRODUCTS
MOD.: 387CC	DR BY: CJS	P.O. BOX 1003
NO.: 56	DATE: 7/25/23	DECATUR IN., 46733
		(260) 724-9111



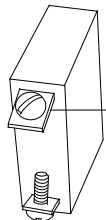
TITLE:	VHF RADIO	THUNDERBIRD PRODUCTS
MOD.: 387CC	DR BY: CJS	P.O. BOX 1003
NO.: 57	DATE: 7/25/23	DECATUR IN., 46733
		(260) 724-9111



DEUTSCH CONNECTOR

- GN
  - BN
  - RD
  - BK
- BK/WH/YL (TO "EMPTY" FLOAT)
  - GN/OR (TO MACERATOR)
  - GN/RD (POWER IN)
  - BK (GROUND)

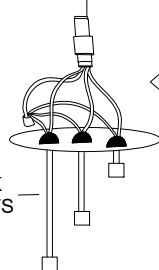
WASTE DISCHARGE BREAKER  
(12V LEANING POST PANEL)



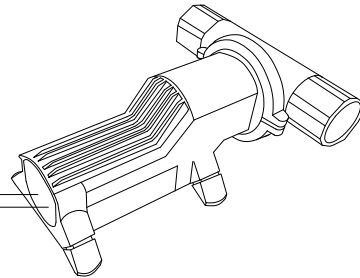
POWER LEAD  
(+RED)

GN/RD

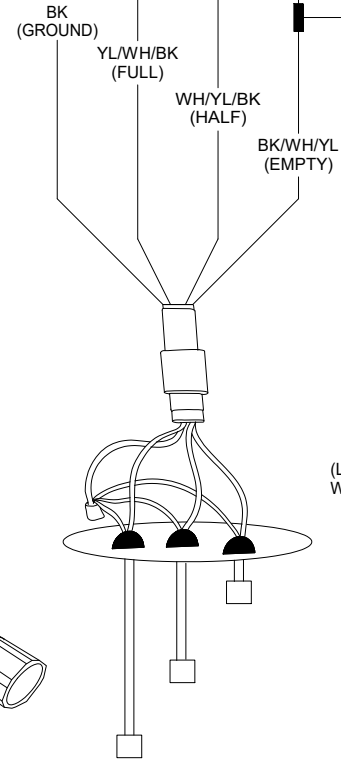
TANK FLOATS



MACERATOR  
(LOCATED PORT  
EQUIPMENT ROOM)



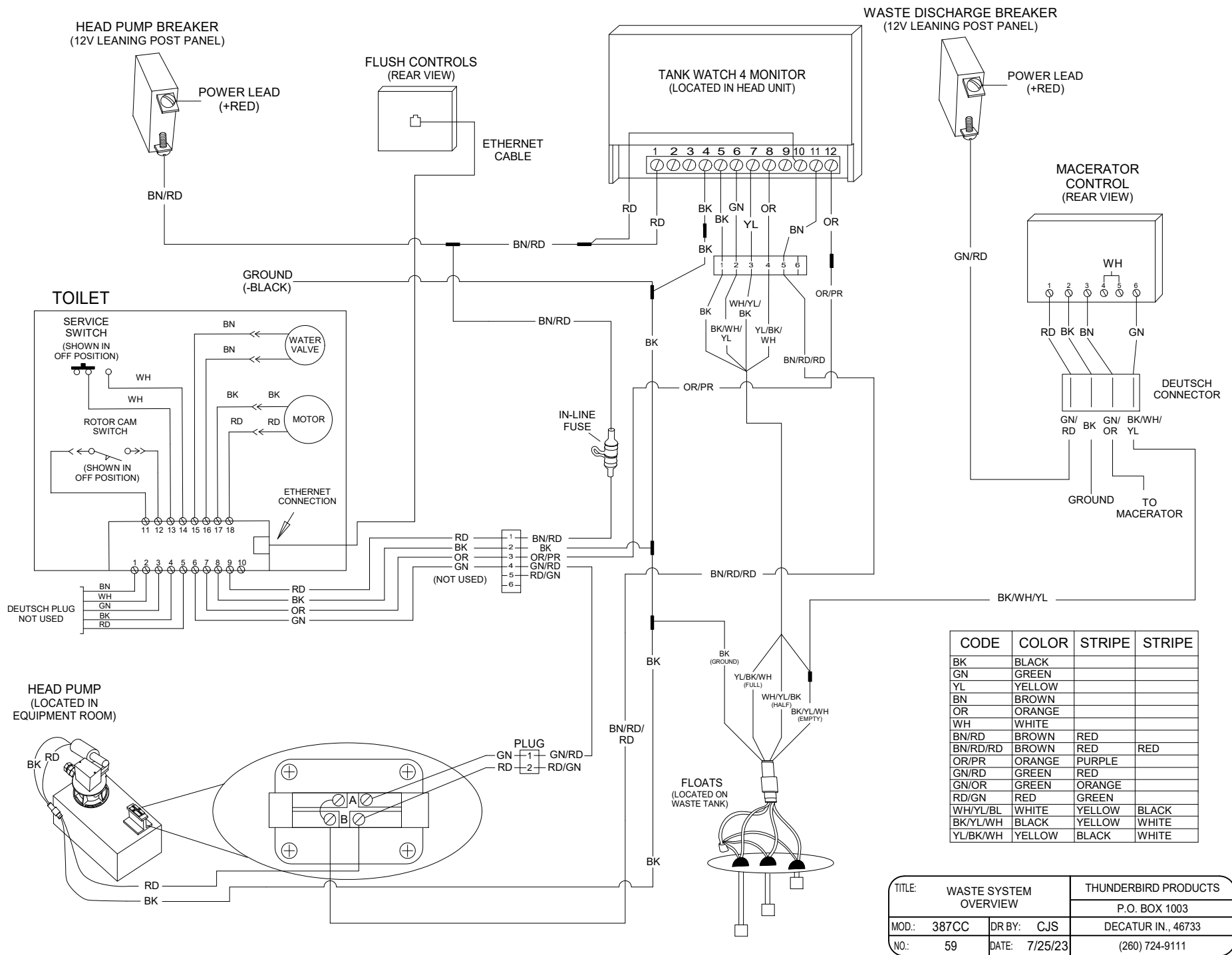
TO TANK  
WATCH  
MONITORING



TO  
MACERATOR  
SWITCH

FLOATS  
(LOCATED ON  
WASTE TANK)

TITLE:	WASTE SYSTEM FLOATS	THUNDERBIRD PRODUCTS
MOD.:	387CC	P.O. BOX 1003
DR BY:	CJS	DECATUR IN., 46733
NO.:	58	DATE: 7/25/23
		(260) 724-9111



HEAD PUMP BREAKER  
(12V LEANING POST PANEL)

POWER LEAD  
(+RED)

TANK WATCH 4 MONITOR  
(LOCATED IN HEAD UNIT)

1 2 3 4 5 6 7 8 9 10 11 12

RD

RD

BK

GN

OR

BN/RD

BK

YL

BN

OR

GROUND  
(-BLACK)

1

2

3

4

5

6

OR/PR

BK

WH/YL/  
BK

BK/YL/  
WH

YL/BK/  
WH

BN/RD/RD

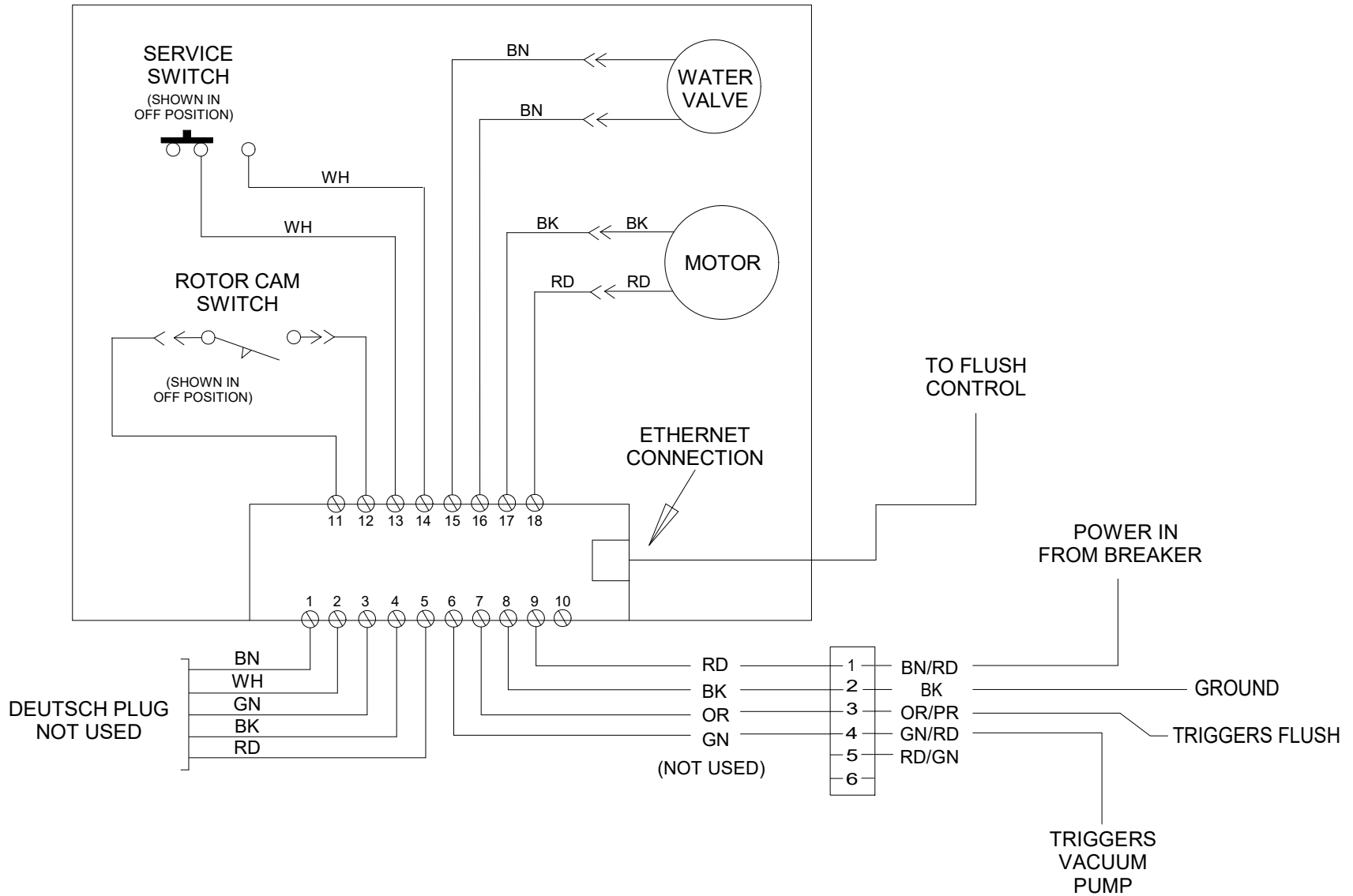
FLUSH  
TOILET

POWER TO  
VACUUM PUMP

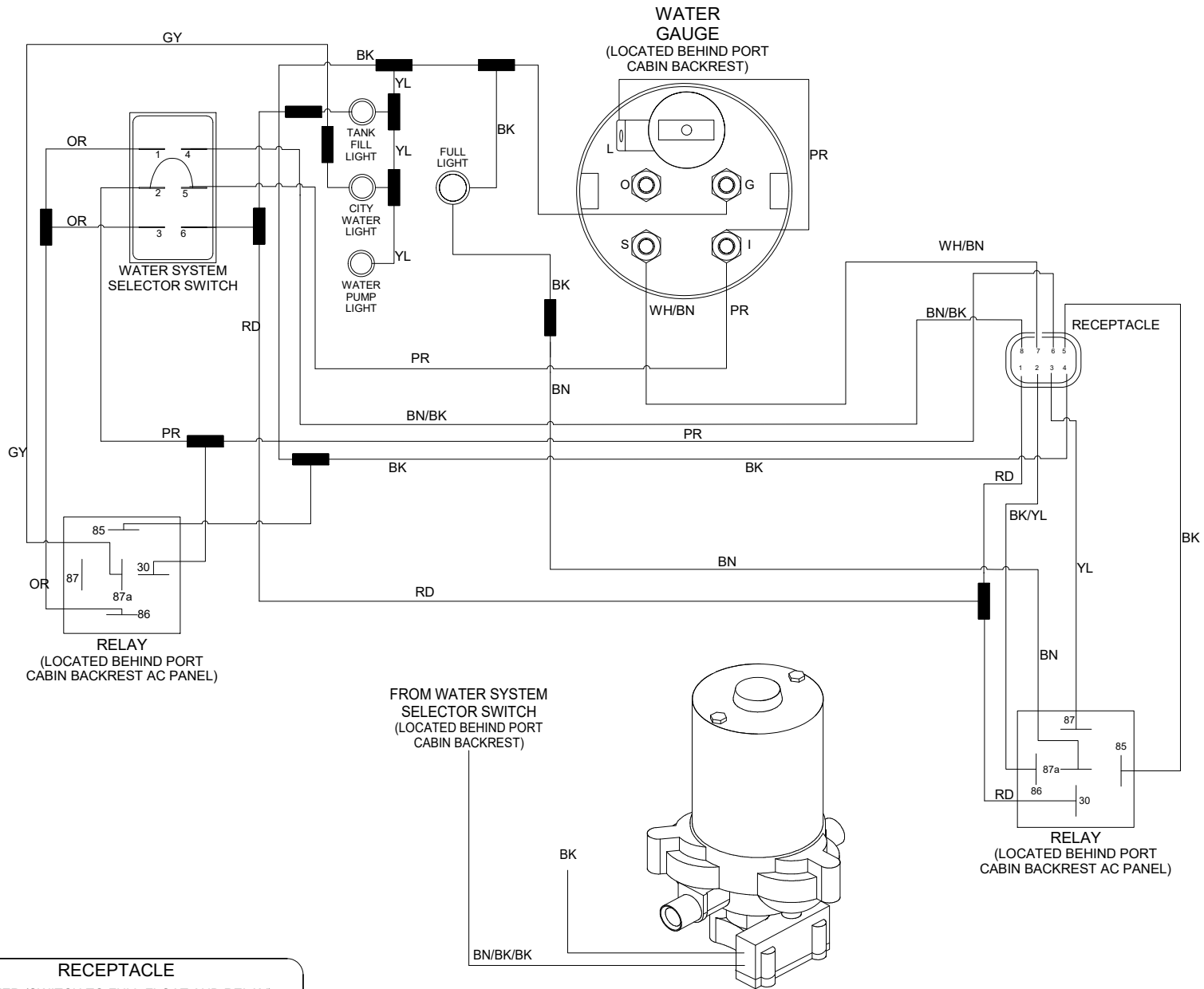
TO FLOAT  
ON WASTE TANK

TITLE: WASTE SYSTEM TANK WATCH		THUNDERBIRD PRODUCTS	
MOD.: 387CC		P.O. BOX 1003	
DR BY: CJS		DECATUR IN., 46733	
NO.: 60		DATE: 7/25/23 (260) 724-9111	

# TOILET



TITLE: WASTE SYSTEM TOILET		THUNDERBIRD PRODUCTS
		P.O. BOX 1003
MOD.: 387CC	DR BY: CJS	DECATUR IN., 46733
NO.: 61	DATE: 7/25/23	(260) 724-9111



**WATER GAUGE**  
(LOCATED BEHIND PORT CABIN BACKREST)

**WATER SYSTEM SELECTOR SWITCH**

**RELAY**  
(LOCATED BEHIND PORT CABIN BACKREST AC PANEL)

**RECEPTACLE**

**FROM WATER SYSTEM SELECTOR SWITCH**  
(LOCATED BEHIND PORT CABIN BACKREST)

**WATER PUMP**  
(LOCATED BEHIND STARBOARD CABIN BACKREST)

**RELAY**  
(LOCATED BEHIND PORT CABIN BACKREST AC PANEL)

**RECEPTACLE**

1. RED - 12V + POWER (SWITCH TO FULL FLOAT AND RELAY)
2. BLACK/YELLOW - FULL FLOAT (FULL FLOAT TO RELAY)
3. YELLOW - (WATER VALVE (RELAY TO VALVE))
4. BLACK - (GROUND)
5. BLACK - (GROUND)
6. PURPLE - 12V FEED (BREAKER TO SELECTOR SWITCH)
7. WHITE/BROWN - WATER TANK SENDER (SENDER TO GAUGE)
8. BROWN/BLACK - WATER PUMP 12V FEED (SWITCH TO PUMP)

TITLE: WATER FILL AND PUMP		THUNDERBIRD PRODUCTS
MOD.: 387CC		P.O. BOX 1003
DR BY: CJS		DECATUR IN., 46733
NO.: 62	DATE: 7/25/23	(260) 724-9111